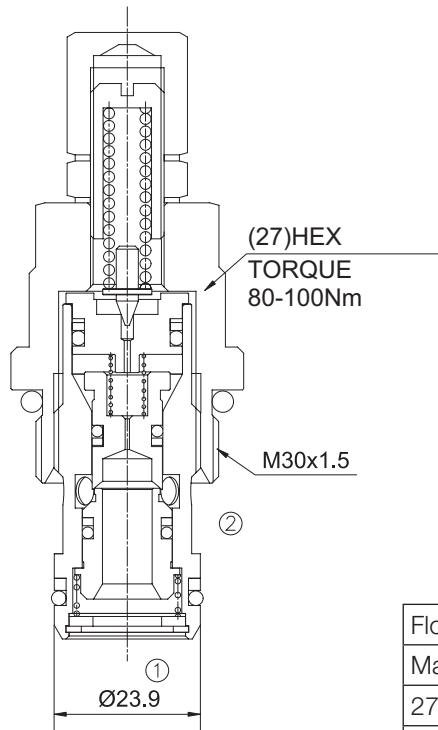


Mobile Hydraulics

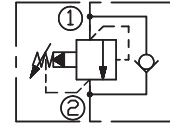
LACRV-14M

DESCRIPTION

An adjustable, pilot-operated circuit relief and anti-cavitation valve.



SYMBOL

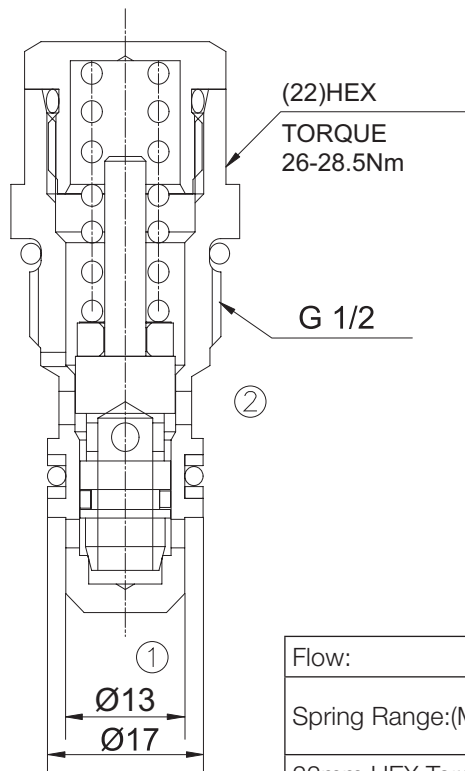


Flow:	120L/min
Max. Pressure:	35Mpa
27mm HEX Torque:	80-100Nm
Cavity:	14M-2, see page(M-21)

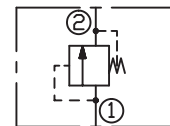
LDARV08(TBA100)

DESCRIPTION

An adjustable, differential area, cartridge relief valve



SYMBOL



Flow:	30L/min
Spring Range:(Mpa)	3.5-6.5;6.5-9.5;9.5-12.5;12.5-16; 16-20;20-24;24-30;
22mm HEX Torque:	26-28.5Nm
Cavity:	08G-2, see page(M-20)