

LNRV5-08

Direct-acting Relief Valve

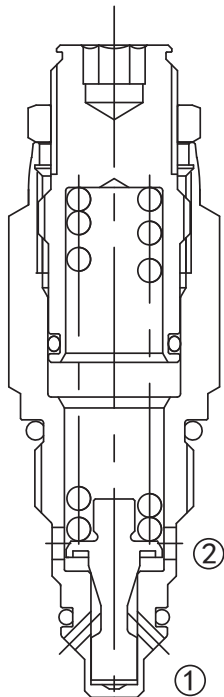
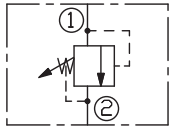
DESCRIPTION

A cartridge-style direct-acting poppet-type relief valve

OPERATION

The valve prevents flow from ① to ② until the set Cracking Pressure at ① is achieved. The poppet then unseats allowing flow from ① to ② protecting the circuit from over pressurization.

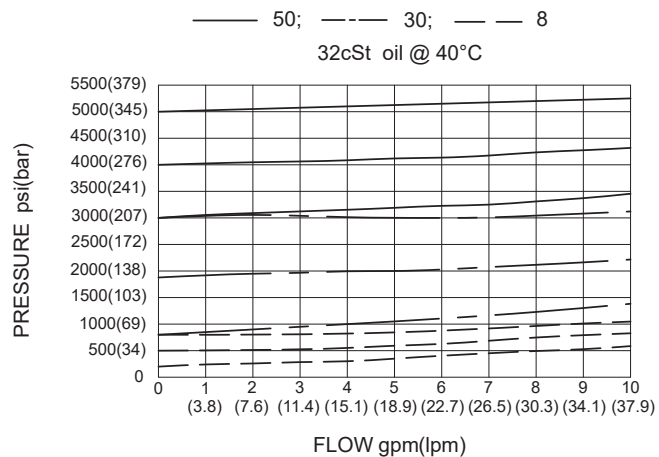
SYMBOL



SPECIFICATIONS

Operating Pressure	350bar
Flow	See PRESSURE DROP VS. FLOW graph.
Internal Leakage	5 drops/min max. to 80% of nominal setting
Reseat Pressure	80% of cracking pressure(cracking pressure at 0.95 lpm /0.25 gpm)
Standard Spring Ranges	14 to 55 bar; preset: 28bar 55 to 207 bar; preset: 103bar 207 to 350 bar; preset: 175bar
Temperature	-40°F to +250°F (-40 °C to +120 °C)
Filtration	See page N-1
Fluids	Mineral-based fluids with viscosities of 7.4 to 420 cSt.
Cavity	08-2, See page M-1
Housing Material	6061-T6 aluminum alloy rated to 207Bar, Steel & Ductile iron rated to 350Bar

PRESSURE DROP VS.FLOW



TO ORDER

LNRV5 -08 - * * - * / ** - * ***

└──┬──┘
└──┬──┘
└──┬──┘
└──┬──┘
└──┬──┘
└──┬──┘

1
2
3
4
5
6

1 Function
LNRV5=Direct-acting Relief Valve

2 Size
08=08 Size

3 Spring Ranges
 8=200-800psi(14-55bar)
 Preset:400psi(28bar)
 30=800-3000psi(55-207bar)
 Preset:1500psi(103bar)
 50=3000-5075psi(207-350Bar)
 Preset:2538psi(175bar)

4 Adjustment
Omit= 1/4" Hex Allen Head

5 Optional Pressure Setting
 Omit=Standard Setting
 Example:0150=150bar

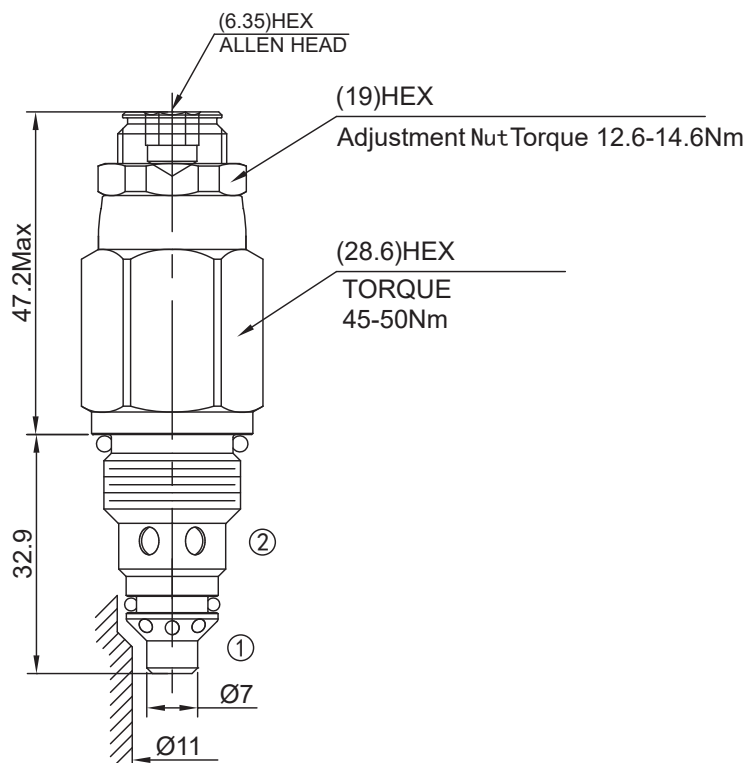
6 Port Size
 Omit=None
 4T=SAE4
 6T=SAE6
 2G=G 1/4
 3G=G 3/8

※ See page K-1 for detail of housing
 ※ Other port sizes are available

E

INSTALLATION DIMENSIONS

Unit=Millimeters



During installation, pilot drill Ø11mm is required with min.depth of 34mm