

LNV1-10

Needle Valve

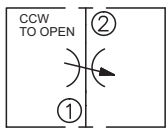
DESCRIPTION

A cartridge-style manually-adjustable needle valve

OPERATION

The valve varies flow restriction by adjusting needle in or out and will shut off when fully closed. These valves will meter flow in either direction.

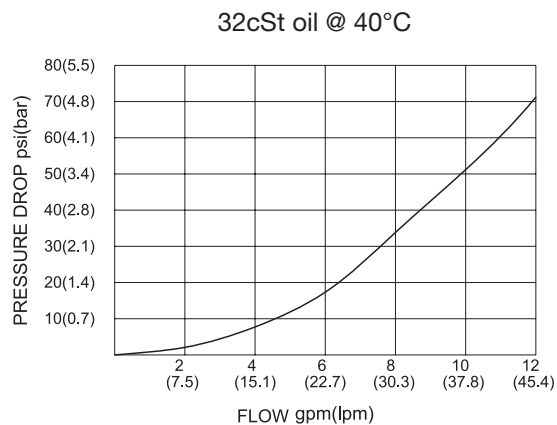
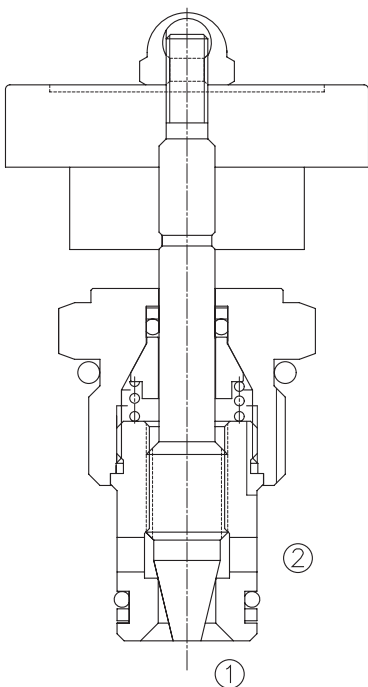
SYMBOL



SPECIFICATIONS

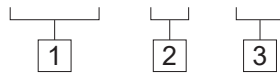
Operating Pressure	250bar
Flow	See PRESSURE DROP VS. FLOW graph.
Internal Leakage	2 drops/min max. at 250 bar
Temperature	-40°F to +250°F(-40°C to +120°C)
Filtration	See page N-1
Fluids	Mineral-based fluids with viscosities of 7.4 to 420 cSt.
Cavity	10-2, See page M-2
Housing Material	6061-T6 aluminum alloy rated to 207bar, Steel & Ductile iron rated to 350bar

PRESSURE DROP VS.FLOW



TO ORDER

LNV1 - 10 - * *



1 Function
LNV1=Manually-adjustable Needle Valve

2 Size
10=10 Size

3 Port Size
Omit=None
6T=SAE6
8T=SAE8
3G=G 3/8
4G=G 1/2

※ See page K-4 for detail of housing
※ Other port sizes are available

F

INSTALLATION DIMENSIONS

Unit=Millimeters

