

# LNRV-08

Direct-acting Relief Valve

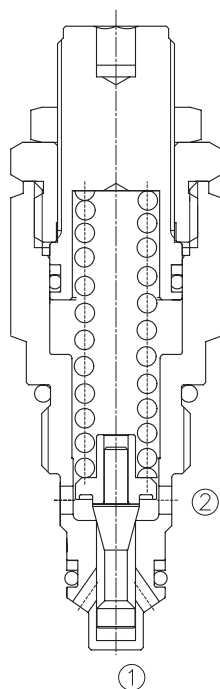
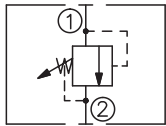
## DESCRIPTION

A cartridge-style direct-acting poppet-type relief valve

## OPERATION

The valve prevents flow from ① to ② until the set Cracking Pressure at ① is achieved. The poppet then unseats allowing flow from ① to ② protecting the circuit from over pressurization.

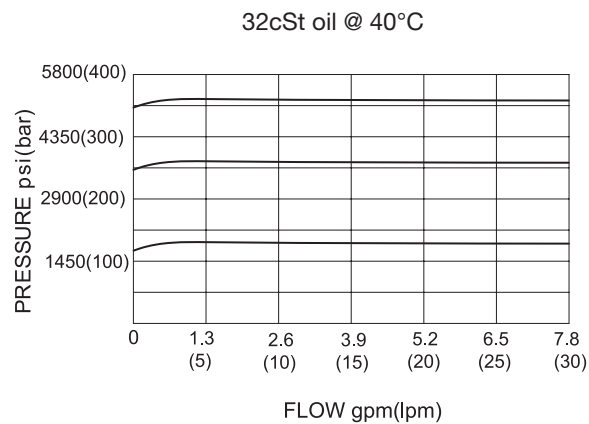
## SYMBOL



## SPECIFICATIONS

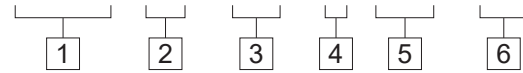
Operating Pressure	350bar
Flow	See PRESSURE DROP VS. FLOW graph.
Internal Leakage	5 drops/min max. to 80% of nominal setting
Reseat Pressure	80% of cracking pressure (cracking pressure at 0.95 lpm /0.25 gpm)
Standard Spring Ranges	20 to 125 bar; preset: 69 bar 40 to 180 bar; preset:138 bar 50 to 240 bar; preset:172 bar 180 to 350 bar; preset:207 bar
Temperature	-40°F to +250°F(-40°C to +120°C)
Filtration	See page N-1
Fluids	Mineral-based fluids with viscosities of 7.4 to 420 cSt.
Cavity	08-2, See page M-1
Housing Material	Steel & Ductile iron rated to 350bar

## PRESSURE DROP VS.FLOW



## TO ORDER

**LNRV -08 - \* \* - \* / \*\*\*\* - \* \***



**1 Function**  
LNRV=Direct-acting Relief Valve

**2 Size**  
08=08 Size

**3 Spring Ranges**  
18=290-1800psi(20-125bar)  
Preset:1000psi(69bar)  
26=580-2600psi(40-180bar)  
Preset:2000psi(138bar)  
35=725-3500psi(50-240bar)  
Preset:2500psi(172bar)  
50=2600-5000psi(180-350bar)  
Preset:3000psi(207bar)

**4 Adjustment**  
K=30mm Dia Knob  
Omit= 5mm Hex Allen Head

**5 Optional Pressure Setting**  
Omit=Standard Setting  
Example:0200=200bar

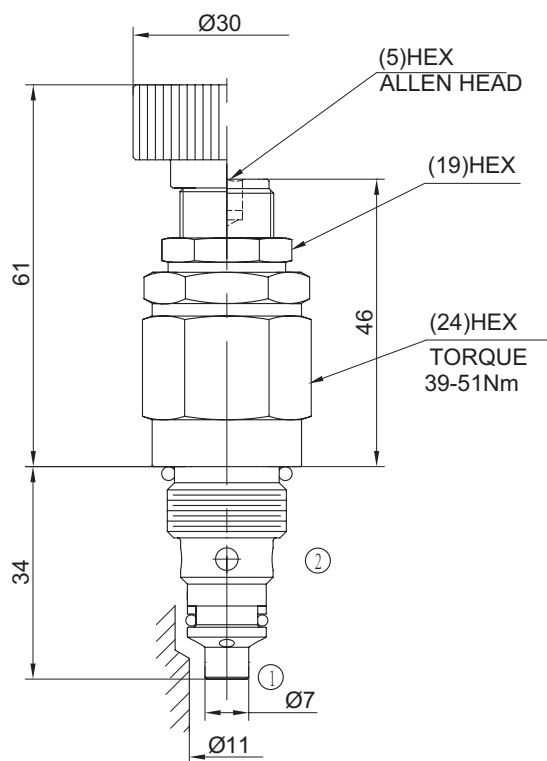
**6 Port Size**  
Omit=None  
4T=SAE4  
6T=SAE6  
2G=G 1/4  
3G=G 3/8

※ See page K-1 for detail of housing  
※ Other port sizes are available

E

## INSTALLATION DIMENSIONS

Unit=Millimeters



During installation, pilot drill Ø11mm is required with min. depth of 34mm