

LEPS2-20-V-F

Logic Element With External Pilot

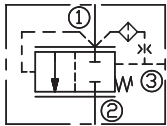
DESCRIPTION

A cartridge-style non-adjustable logic element with external pilot

OPERATION

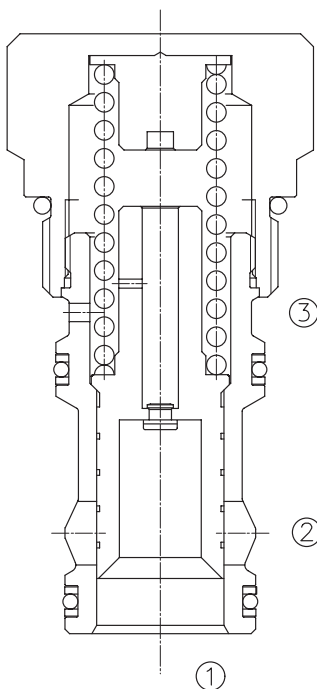
When pressure at ① rises above the selected spring bias pressure against the spool, the valve shifts to allow flow from ① to ②, Pilot pressure at ③ is additive to the spring bias pressure. The valve may be used in switching or compensation type applications.

SYMBOL

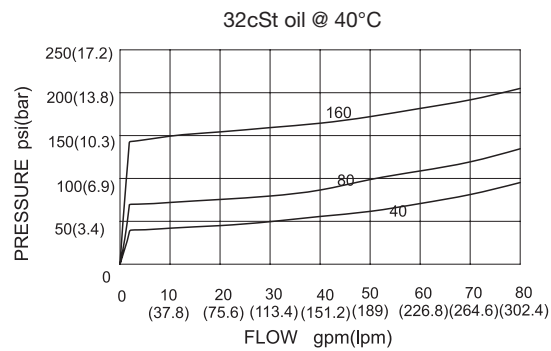


SPECIFICATIONS

Max. Operating Pressure	290bar
Flow	See PRESSURE DROP VS.FLOW graph.
Internal Leakage	82ml/min max. at 290 bar
Temperature	-40°F to +250°F(-40°C to +120°C)
Filtration	See page N-1
Fluids	Mineral-based fluids with viscosities of 7.4 to 420 cSt.
Cavity	20-S3, See page M-10
Housing Material	Steel & Ductile iron rated to 350bar



PRESSURE DROP VS.FLOW



TO ORDER

LEPS2 - 20 - V - F - * * - * *

1
2
3
4
5
6

<p>1 Function LEPS2=Cartridge-style Adjustable Logic Element with External Pilot</p>	<p>3 Type V=Spool, N/C</p>	<p>6 Port Size Omit=None 16T=SAE 16 8G=G 1</p>
<p>2 Size 20=20 Size</p>	<p>4 Control F=Fixed Stroke</p>	<p>※Other port sizes are available</p>
	<p>5 Differential Pressure 160=160psi(11bar) 80=80psi(5.5bar) 40=40psi(2.8bar)</p>	

INSTALLATION DIMENSIONS

Unit=Millimeters

H

