

# LCV-20-P

Check Valve

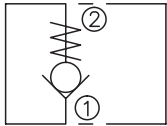
## DESCRIPTION

A cartridge-style poppet-type check valve

## OPERATION

Pressure at ① overcomes the spring-bias poppet and allows free flow from ① to ② . Flow in the opposite direction, from ② to ① ,is blocked by the poppet.

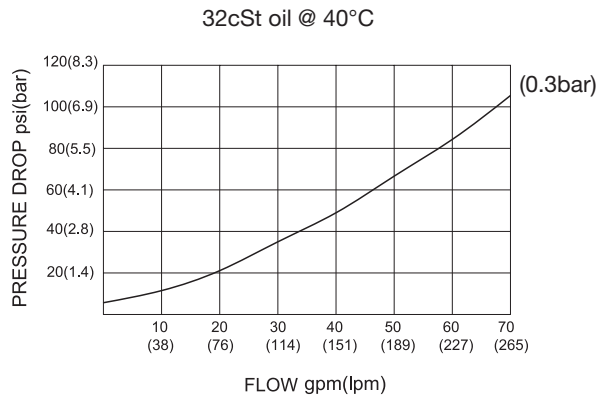
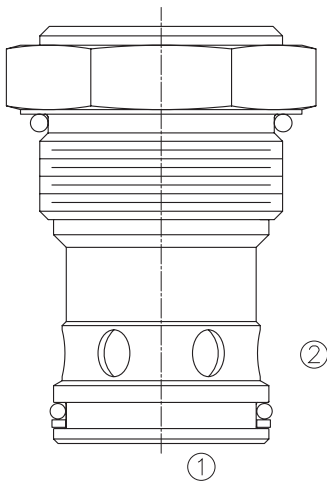
## SYMBOL



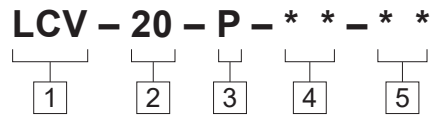
## SPECIFICATIONS

Operating Pressure	350bar
Flow	See PRESSURE DROP VS.FLOW graph.
Internal Leakage	5 drops/min max. at 350bar
Cracking Pressure	0.3=0.3bar 1.4=1.4bar 4.5=4.5bar
Temperature	-40°F to +250°F(-40°C to +120°C)
Filtration	See page N-1
Fluids	Mineral-based fluids with viscosities of 7.4 to 420 cSt.
Cavity	20-2, See page M-5
Housing Material	Steel & Ductile iron rated to 350bar

## PRESSURE DROP VS.FLOW



**TO ORDER**



**1 Function**  
LCV=Check Valve

**2 Size**  
20=20 Size

**3 Type**  
P=Poppet

**4 Cracking Pressure**  
0.3=0.3bar  
1.4=1.4bar  
4.5=4.5bar

**5 Port Size**  
Omit=None  
16T=SAE16  
20T=SAE20

※See page K-11 for detail of housing  
※Other port sizes are available



**INSTALLATION DIMENSIONS**

Unit=Millimeters

