

LPPFB

Pilot-operated Pressure Reducing/Relieving Valve

DESCRIPTION

A cartridge-style pilot-operated pressure reducing/relieving valve

OPERATION

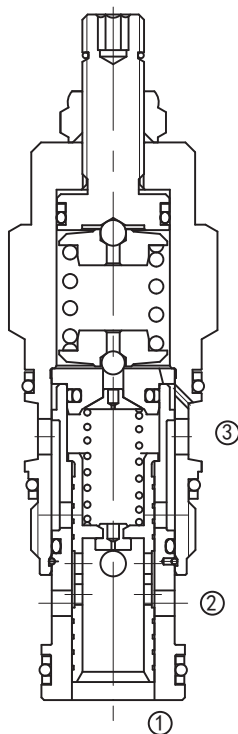
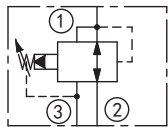
Pilot-operated, pressure reducing/relieving valves reduce a high primary pressure at the inlet (port ②) to a constant reduced pressure at port ①, with a full-flow relief function from port ① to tank (port ③). Pressure at port ③ is directly additive to the valve setting at a 1:1 ratio and should not exceed 210 bar.

Recommended maximum inlet pressure is determined by the adjustment range. Ranges D, E, N, and Q are tested with a 2000 psi (140 bar) maximum differential between inlet and reduced pressure.

Ranges A, B, and H are tested with a 3000 psi (210 bar) maximum differential between inlet and reduced pressure.

Ranges C and W are tested with 5000 psi (350 bar) of inlet pressure.

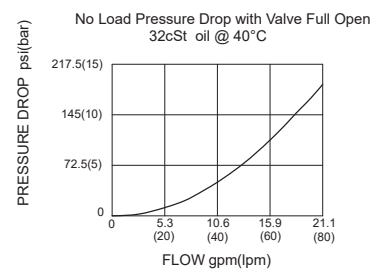
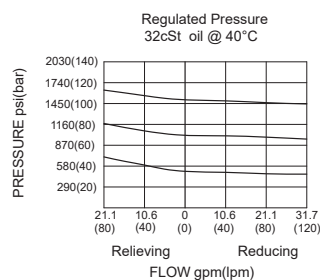
SYMBOL



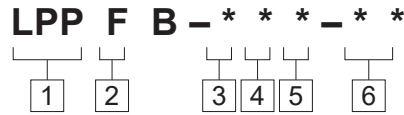
SPECIFICATIONS

Max. Operating Pressure	350bar
Flow	See PRESSURE DROP VS.FLOW graph.
Standard Spring Ranges	<p>A: 7-210bar, preset: 14bar</p> <p>B: 3.5-105bar, preset: 14bar</p> <p>N: 4- 55bar, preset: 14bar</p> <p>Q: 4- 28bar, preset: 14bar</p> <p>W: 10.5-315bar, preset: 14bar</p>
Additional Options	<p>D: 1.7-55bar, preset: 14bar</p> <p>E: 1.7-28bar, preset: 14bar</p> <p>H: 2-210bar, preset: 14bar</p> <p>J: 1.7-105bar, preset: 14bar</p> <p>K: 5-105bar, preset: 14bar</p> <p>S: 1.7-14bar, preset: 7bar</p>
Temperature	-40°F to +250°F (-40 °C to +120 °C)
Filtration	See page N-1
Fluids	Mineral-based fluids with viscosities of 7.4 to 420 cSt.
Cavity	T-2A, See page M-6
Housing Material	Steel & Ductile iron rated to 350Bar

PRESSURE DROP VS.FLOW



TO ORDER



- 1 Function**
LPP=Pilot-operated Pressure Reducing/Relieving Valve

- 2 Capacity**
F=80L/min

- 3 Control**
L= Standard screw Adjustment

- 4 Spring Ranges**
A=100-3000psi(7-210bar)
Preset:200psi(14bar)
W=150-4500psi(10.5-315bar)
Preset:200psi(14bar)
B=50-1500psi(3.5-105bar)
Preset:200psi(14bar)
N=60-800psi(4-55bar)
Preset:200psi(14bar)
Q=60-400psi(4-28bar)
Preset:200psi(14bar)

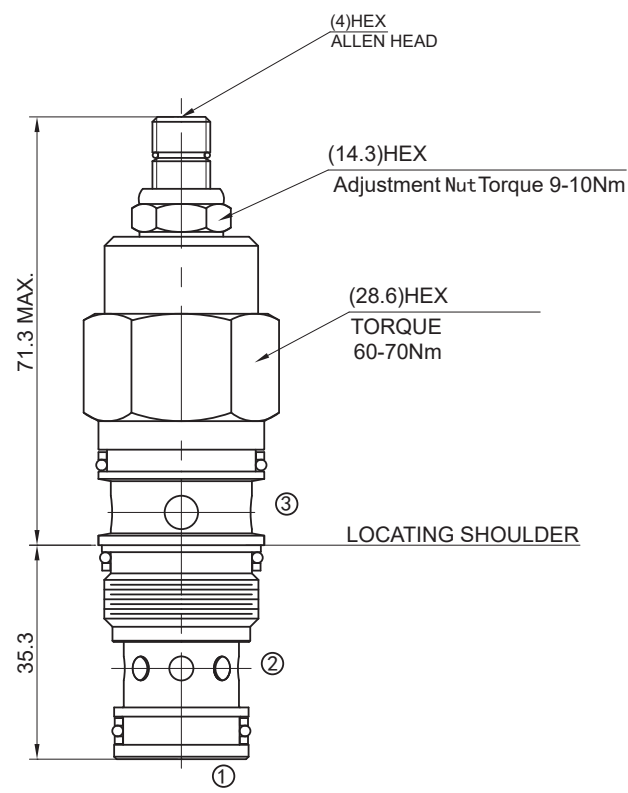
- 5 Seal Kits**
N= Buna N
V=Viton

- 6 Port Size**
Omit=None
8T=SAE8
10T=SAE10
3G=G 3/8
4G=G 1/2

※See page K-23 for detail of housing
 ※Other port sizes are available

INSTALLATION DIMENSIONS

Unit=Millimeters



- Additional Options**
- D=25-800psi(1.7-55bar)
Preset:200psi(14bar)
 - E=25-400psi(1.7-28bar)
Preset:200psi(14bar)
 - H=30-3000psi(2-210bar)
Preset:200psi(14bar)
 - J=25-1500psi(1.7-105bar)
Preset:200psi(14bar)
 - K=75-1500psi(5-105bar)
Preset:200psi(14bar)
 - S=25-200psi(1.7-14bar)
Preset:100psi(7bar)

E