

# LACR.M18

Direct-acting Anti-cavitation Relief Valve

## DESCRIPTION

A cartridge-style direct-acting poppet-type anti-cavitation relief valve

## OPERATION

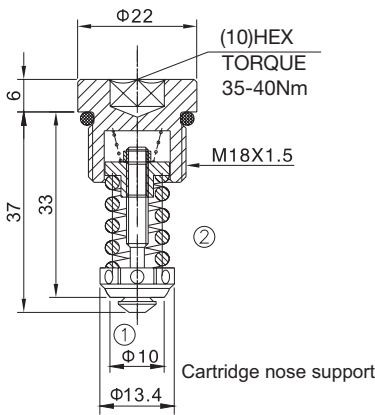
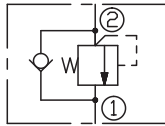
Flow is free from ① to ② until pressure increases to meet the selected valve setting, allowing relief flow through port ① to tank. This valve combines the typical function of shock relief valve (direct acting) and anticavitation function through the check valve. The direct action and the specific design allow a very fast opening and closing.

Note: to obtain a good leak proof performance coin the cavity seat using a loose valve seat as a coning tool.

Torque to be applied :4.5 ± 2 Nm.

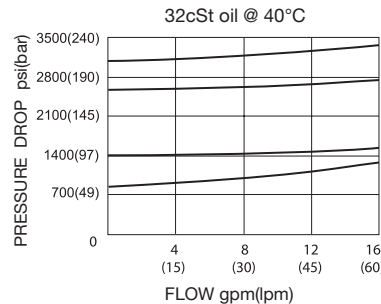


## SYMBOL



## SPECIFICATIONS

Max.Operating Pressure	380bar
Standard Spring Ranges	10 to 70 bar; 70 to 120bar; 120 to 200bar; 200 to 270 bar; 270 to 320 bar; 320 to 380 bar;
Max. Flow	60 l/min.
Temperature	-40°F to +250°F(-40°C to +120°C)
Filtration	See page N-1
Fluids	Mineral-based fluids with viscosities of 7.4 to 420 cSt.
Cavity	Rexroth-730, See page M-13
Housing Material	Steel & Ductile iron rated to 350bar



## TO ORDER

LACR.M18 - \*\* / \*\*\*

1

2

3

4

**1 Function**  
LACR=Anti-Cavitation Relief Valve

**2 Size**  
M18=M18 Size

**3 Spring Ranges**  
05=150 -1000psi( 10-70 bar)  
10=1000-1750psi( 70-120bar)  
20=1750-2900psi(120-200bar)  
27=2900-3900psi(200-270bar)  
32=3900-4700psi(270-320bar)  
35=4700-5500psi(320-380bar)

**4 Optional Pressure Seeting**  
Omit=Standard Setting  
Example:150=150bar  
Factory pressure setting  
established at 5 L/min