

LTR04-B20

Direct-acting Thermal Relief Valve

DESCRIPTION

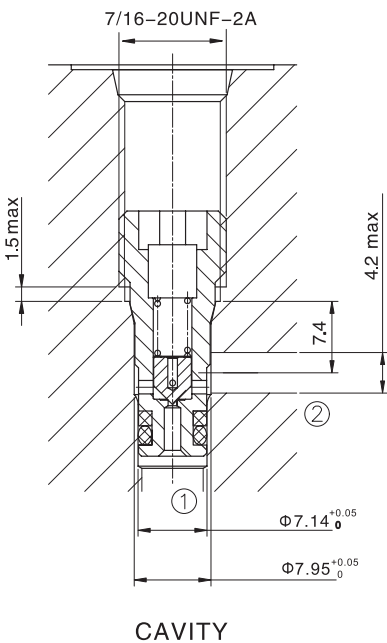
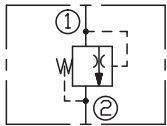
A in-line direct-acting poppet-type thermal relief valve

OPERATION

The thermal relief valve intended to prevent cylinder damage resulting from temperature induced pressure intensification. This valve is not intended to be used as a dynamic relief valve, or as protection against load-induced pressure spikes.

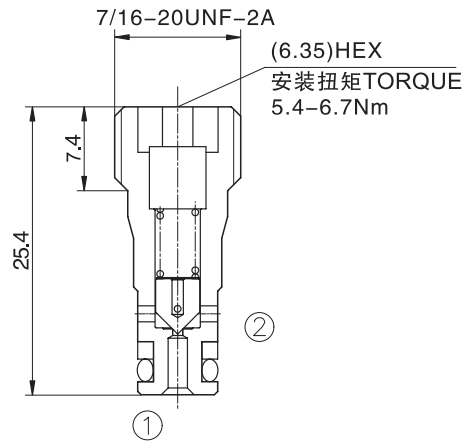
The valve blocks flow from ① to ② until sufficient pressure is present at ① to force the poppet from its seat. Pressure at port ② should not ,at any time ,be more than 35 bar above the pressure at port ①.

SYMBOL



SPECIFICATIONS

Max.Operating Pressure	410bar
Internal Leakage	1 drops/min. to 90% of crack setting
Reset Characteristic	10drops/min. at 85% of pressure setting
Standard Spring Ranges	240 to 260 bar; 276 to 286 bar 359 to 369 bar; 414 to 424 bar
Flow	1.0L/min
Temperature	-40°F to +250°F(-40°C to +120°C)
Filtration	See page N-1
Fluids	Mineral-based fluids with viscosities of 7.4 to 420 cSt.
Cavity	04-B2, See page M-24
Housing Material	Steel & Ductile iron rated to 350bar



TO ORDER

LTR 04-B20 - * *

1

2

3

1 Function
LTR=Thermal Relief Valve

2 Size
04-B20=04-B20 Size

3 Optional Pressure Seeting
35=3500-3800psi(240-260bar)
40=4000-4150psi(276-286bar)
52=5200-5350psi(359-369bar)
60=6000-6150psi(414-424bar)