

LSV6-16-2 NCSP

2-Way,2-Position,Bi-directional
Normally closed,Poppet-type
Solenoid Valve

DESCRIPTION

A solenoid operated, 2-way, 2-position, normally closed, poppet-type bi-directional cartridge valve.

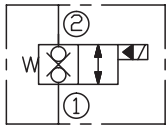
OPERATION

When de-energized, the valve blocks flow in both directions. When energized, the poppet shifts to allow flow in either direction.

Operation of Manual Override Option

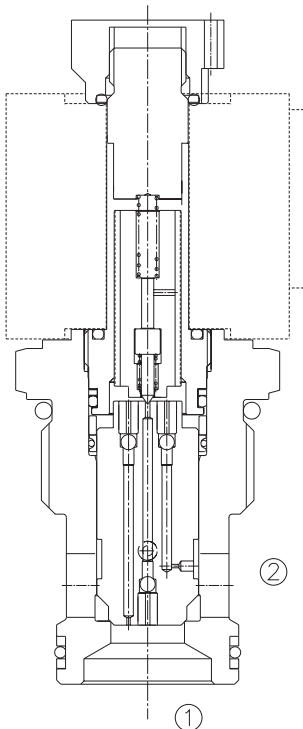
To override, push button in, twist counterclockwise 180° and release. In this position, the valve will remain open in a detented condition. To return to normal operation, push button in, twist clockwise 180° and release. Override will be detented in this position.

SYMBOL

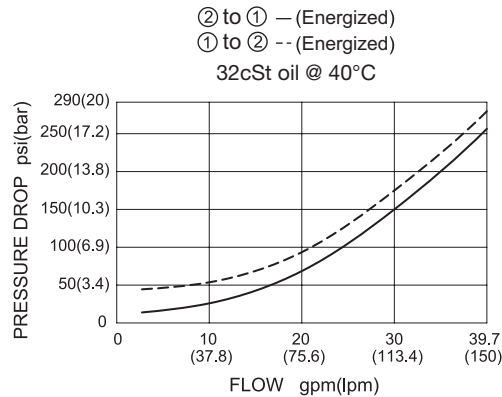


SPECIFICATIONS

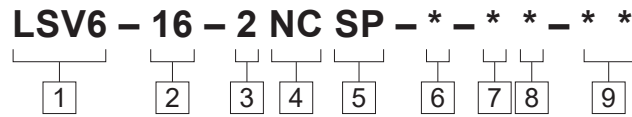
Max.Operating Pressure	350bar
Flow	See PRESSURE DROP VS.FLOW graph.
Internal Leakage	5drops/min max. at 350 bar
Temperature	-40°F to +212°F(-40°C to +100°C)
Coil Duty Rating	Continuous from 85% to 115% of nominal voltage
Filtration	See pageN-1
Fluids	Mineral-based fluids with viscosities of 7.4 to 420 cSt.
Cavity	16-2,See page M-3
Housing Material	Steel & Ductile iron rated to 350ba



PRESSURE DROP VS.FLOW



TO ORDER



- 1 Function**
LSV6=Solenoid Valve

- 2 Size**
16=16 Size

- 3 Flow Path**
2=2-Way

- 4 Style**
NC=Normally Closed

- 5 Type**
SP=Poppet

- 6 Manual Override Options**
Omit=None
M=Manual Override

- 7 Coil Voltage**
1=12 VDC
2=24 VDC
3=110 VAC
4=220 VAC

- 8 Coil Connector Type**
D= Double Lead
H= Hirschmann
ER= Deutsch Connector(Water-proof Coil)

- 9 Port Size**
Omit=None
16T=SAE 16
8G=G 1

- ※ See page K-9 for detail of housing
- ※ Other port sizes are available

INSTALLATION DIMENSIONS

Coil Must Be Installed With Letter Up

Unit=Millimeters

