

LSV2-10-4 NO

4-Way,2-Position,
Spool-type Solenoid Valve

DESCRIPTION

A solenoid operated, 4-way, 2-position, spool-type cartridge valve.

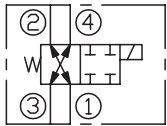
OPERATION

When de-energized, the valve allows flow from ③ to ④ or from ④ to ③ and from ② to ① or from ① to ② . When energized, the cartridge's spool shifts to block flow at all ports.

Operation of Manual Override Option

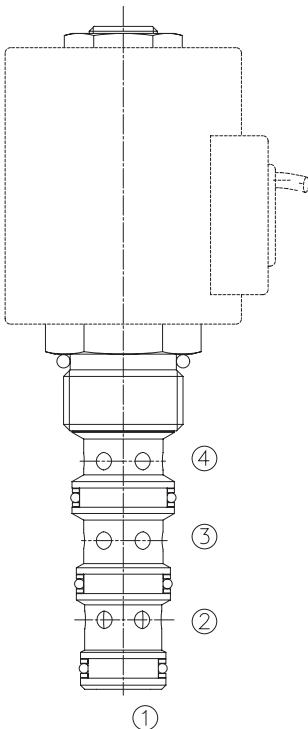
To override, push button in, twist counterclockwise 180°and release. In this position, valve will remain detented in the shifted condition. To return to normal operation, push button in, twist clockwise 180°and release. Override will be detented in this position.

SYMBOL

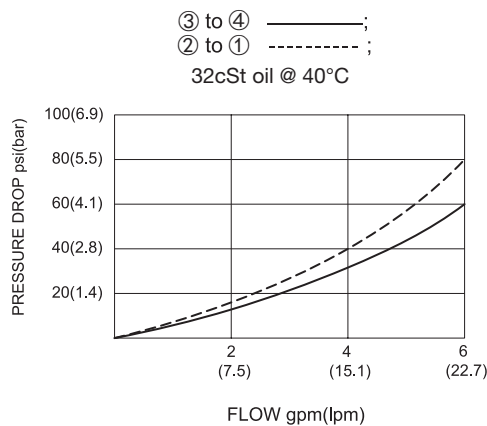


SPECIFICATIONS

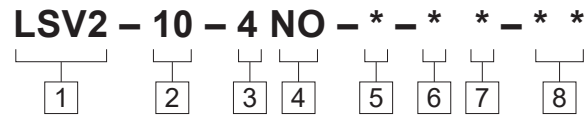
Operating Pressure	207bar
Flow	See PERFORMANCE CHARACTERISTIC graph.
Internal Leakage	82cc/min max. at 207bar
Temperature	-40°F to +212°F(-40°C to +100°C)
Coil Duty Rating	Continuous from 85% to 115% of nominal voltage
Filtration	See page N-1
Fluids	Mineral-based fluids with viscosities of 7.4 to 420 cSt.
Cavity	10-4,See page M-2
Housing Material	6061-T6 aluminum alloy rated to 207bar, Steel & Ductile iron rated to 350bar



PRESSURE DROP VS.FLOW



TO ORDER



<p>1 Function LSV2=Solenoid Valve</p>	<p>6 Coil Voltage 1=12 VDC 2=24 VDC 3=110 VAC 4=220 VAC 5=10 VDC</p>	<p>8 Port Size Omit=None 6T=SAE 6 8T=SAE 8 2G=G 1/4 3G=G 3/8</p>
<p>2 Size 10=10 Size</p>	<p>7 Coil Connector Type D= Double Lead H= Hirschmann C= Conduit ER= Deutsch Connector(Water-proof Coil) B= Double Spade</p>	<p>※ See page K-6 for detail of housing ※ Other port sizes are available</p>
<p>3 Flow Path 4=4-Way</p>		
<p>4 Style NO=Normally Open</p>		
<p>5 Manual Override Options Omit=None M=Manual Override</p>		

INSTALLATION DIMENSIONS

Coil Must Be Installed With Letter Up

Unit=Millimeters

