

LRSDC

Pilot-operated Sequence Valve

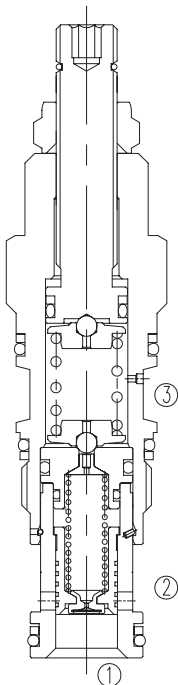
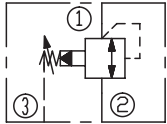
DESCRIPTION

A cartridge-style pilot operated, spool-type sequence valve with internal pilot and spring chamber drain

OPERATION

The valves will supply a secondary circuit with flow once the pressure at the inlet (port ①) has exceeded the valve setting. The pressure setting of a sequence valve controls the pressure at inlet (port ①) relative to the pressure at the drain (port ③). These valves are insensitive to back pressure at port ②, up to the valve setting. They may be used to regulate pressure in place of 2-port relief valves if there is pressure in the return line.

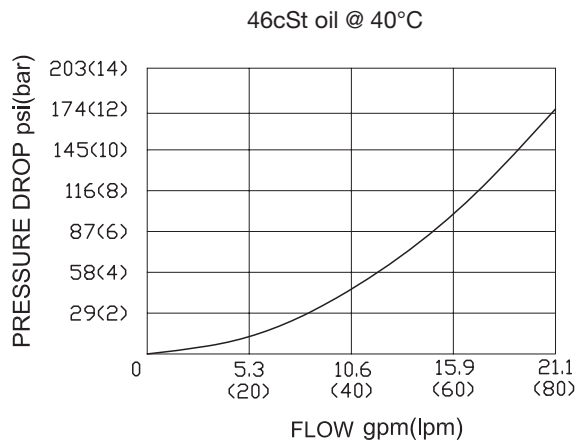
SYMBOL



SPECIFICATIONS

| | |
|------------------------|--|
| Operating Pressure | 350bar |
| Capacity | See PRESSURE DROP VS.FLOW graph |
| Internal Leakage | 30 cc/min Max. at 70bar. |
| Standard Spring Ranges | A 7-210 bar; Preset:70bar W 10.5-315 bar; Preset:70bar B 3.5-105 bar; Preset:70bar C 10.5-420 bar; Preset:70bar D 1.7- 55 bar; Preset:28bar E 1.7- 28 bar; Preset:14bar N 4- 55 bar; Preset:28bar Q 4- 28 bar; Preset:14bar |
| Temperature | -40°F to +250°F(-40°C to +120°C) |
| Filtration | See page N-1 |
| Fluids | Mineral-based fluids with viscosities of 7.4 to 420 cSt. |
| Cavity | SUN T-11A, See page M-6 |
| Housing Material | Steel & Ductile iron rated to 350bar |

PRESSURE DROP VS.FLOW



TO ORDER

LRS * C - * * * - * *

1
2
3
4
5
6

1 Function
LRS=Pilot Operated, Spool-type
Sequence Valve

2 Capacity
D=60L/min

3 Control
L= Standard Screw Adjustment

4 Spring Ranges

| | |
|----------------------------|-----------------------|
| A=100-3000psi(7-210bar) | Preset:1000psi(70bar) |
| W=150-4500psi(10.5-315bar) | Preset:1000psi(70bar) |
| B=50-1500psi(3.5-105bar) | Preset:1000psi(70bar) |
| C=150-6000psi(10.5-420bar) | Preset:1000psi(70bar) |
| D=25-800psi(1.7-55bar) | Preset:400psi(28bar) |
| E=25-400psi(1.7-28bar) | Preset:200psi(14bar) |
| N=60-800psi(4-55bar) | Preset:400psi(28bar) |
| Q=60-400psi(4-28bar) | Preset:200psi(14bar) |

Factory Pressure setting established at 15L/min;

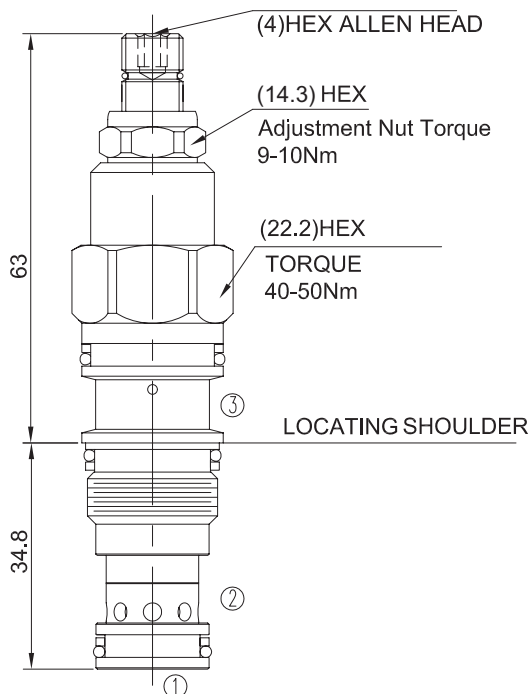
5 Seal Kits
N= Buna N
V= Viton

6 Port Size
Omit=None
6T=SAE6
8T=SAE8
3G=G 3/8
4G=G 1/2

※See page K-17—K-22 for detail of housing
※Other port sizes are available

INSTALLATION DIMENSIONS

Unit=Millimeters



E