

LSV6-12-2 NOP

2-Way,2-Position,Normally open
Poppet-type Solenoid Valve

DESCRIPTION

A solenoid operated, 2-way, 2-position, normally open, poppet-type cartridge valve

OPERATION

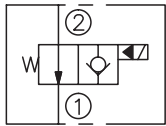
When de-energized, the valve allows flow from ② to ① . Flow from ① to ② is severely restricted in this mode.

When energized the valve' s poppet closes on its seat, blocking flow from ② to ① . The cartridge will allow ① to ② flow after overcoming the solenoid force.

Operation of Manual Override Option

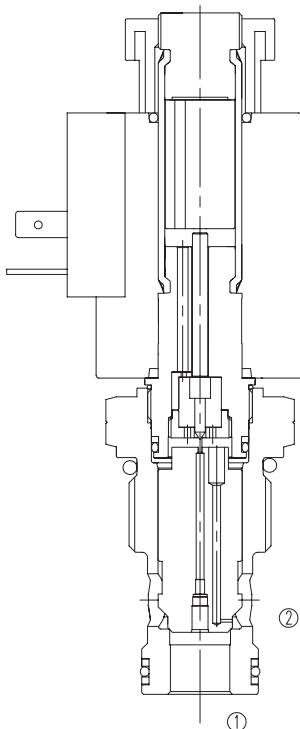
To override, push button in to activate. To return to normal valve function, release button.

SYMBOL

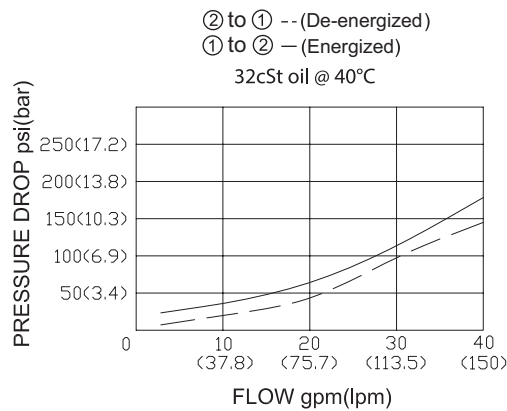


SPECIFICATIONS

Max.Operating Pressure	350bar
Flow	See PRESSURE DROP VS.FLOW graph.
Internal Leakage	3 drops/min max. at 350bar
Temperature	-40°F to +212°F(-40°C to +100°C)
Coil Duty Rating	Continuous from 85% to 115% of nominal voltage
Filtration	See page N-1
Fluids	Mineral-based fluids with viscosities of 7.4 to 420 cSt.
Cavity	12-2,See page M-3
Housing Material	Steel & Ductile iron rated to 350bar

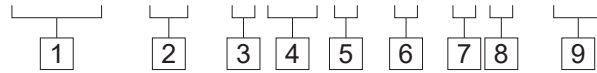


PRESSURE DROP VS.FLOW



TO ORDER

LSV6 - 12 - 2 NO P - * - * * - * *



- 1 Function**
LSV6=Solenoid Valve

- 2 Size**
12=12 Size

- 3 Flow Path**
2=2-Way

- 4 Style**
NO=Normally Open

- 5 Type**
P=Poppet

- 6 Manual Override Options**
Omit=None
M=Manual Override

- 7 Coil Voltage**
1=12 VDC
2=24 VDC
3=110 VAC
4=220 VAC
7=48 VDC
8=24 VAC
9=72 VDC

- 8 Coil Connector Type**
D= Double Lead
S= Single Lead
B= Double Spade
ER= Deutsch Connector(Water-proof Coil)
H= Hirschmann

- 9 Port Size**
Omit=None
10T=SAE 10
12T=SAE 12
6G=G 3/4
8G=G 1

- ※ See page K-8 for detail of housing
- ※ Other port sizes are available

INSTALLATION DIMENSIONS

Coil Must Be Installed With Letter Up

Unit=Millimeters

