

Mobile Hydraulics

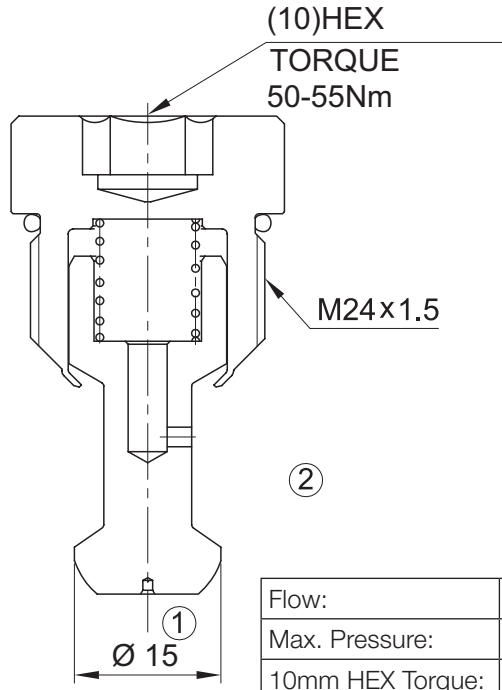


ACV.M24

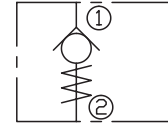
(Cracking Pressure 0.5bar)

DESCRIPTION

An anti-cavitation valve



SYMBOL



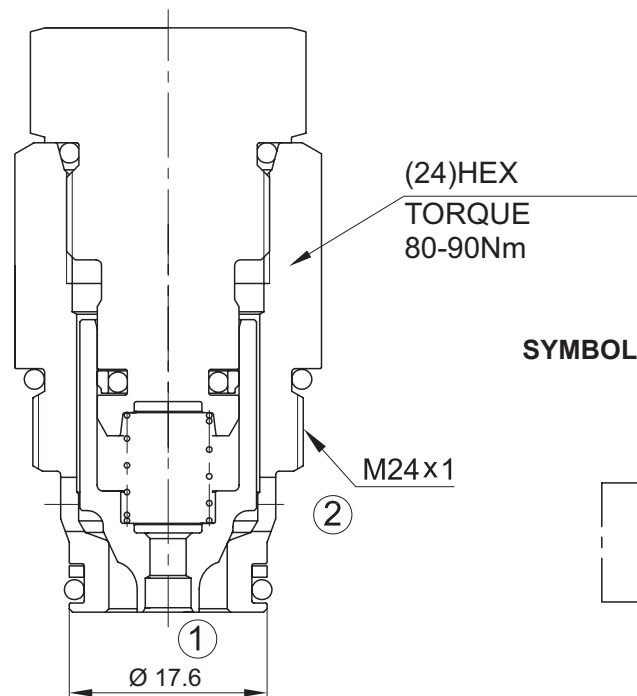
Flow:	100L/min
Max. Pressure:	42Mpa
10mm HEX Torque:	50-55Nm
Cavity:	Rexroth-870, see page(M-13)

MHSV16K1-M24

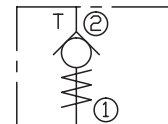
(Cracking Pressure 0.5bar)

DESCRIPTION

An anti-cavitation valve



SYMBOL



Flow:	100L/min
Max. Pressure:	42Mpa
24mm HEX Torque:	80-90Nm
Cavity:	Rexroth-FB, see page(M-15)