

# LFR10-2C

Adjustable Pressure-compensated  
Flow Control Valve

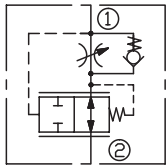
## DESCRIPTION

A cartridge-style adjustable pressure-compensated flow control valve

## OPERATION

The valve maintains a constant flow within specified accuracies from ① to ② regardless of downstream load pressure. When flow produces a minimum predetermined pressure differential across the compensator spool control orifice, the spool shifts against the spring force to throttle the flow and maintain the flow setting. Reverse flow is not regulated.

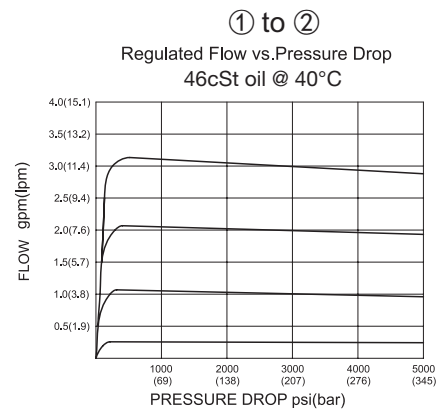
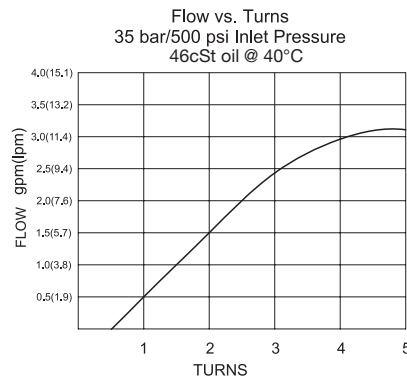
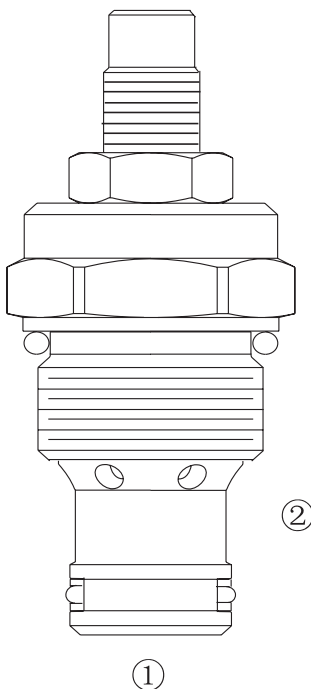
## SYMBOL



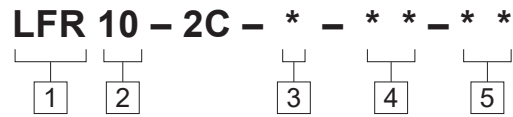
## SPECIFICATIONS

Operating Pressure	350 bar
Flow Setting	0.4-11.5 l/min.
Flow Maintenance Accuracy	±10%
Temperature	-40°F to +250°F(-40°C to +120°C)
Filtration	See page N-1
Fluids	Mineral-based fluids with viscosities of 7.4 to 420 cSt.
Cavity	10-2, See page M-2
Housing Material	Steel & Ductile iron rated to 350bar

## PRESSURE DROP VS.FLOW



**TO ORDER**



**1 Function**  
LFR=Adjustable Pressure-compensated  
Flow Control Valve

**2 Size**  
10=10 Size

**3 Adjustment**  
K= 1.57"Dia Knob  
Omit=3/16" Hex Allen Head

**4 Optional Flow Setting**  
Example:  
M10=10lpm  
Omit=Factory Setting At 5.7-7.6lpm

**5 Port Size**  
Omit=None  
6T=SAE6  
8T=SAE8  
3G=G 3/8  
4G=G 1/2

※ See page K-4 for detail of housing  
※ Other port sizes are available

F

**INSTALLATION DIMENSIONS**

Unit=Millimeters

