

# LMR-10

Needle Valve

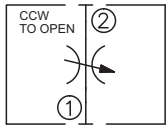
## DESCRIPTION

A cartridge-style manual-rotary adjustable flow control valve

## OPERATION

The valve will increase or decrease flow by changing the variable orifice with the rotary adjustment. Recommended flow path is ② to ①.

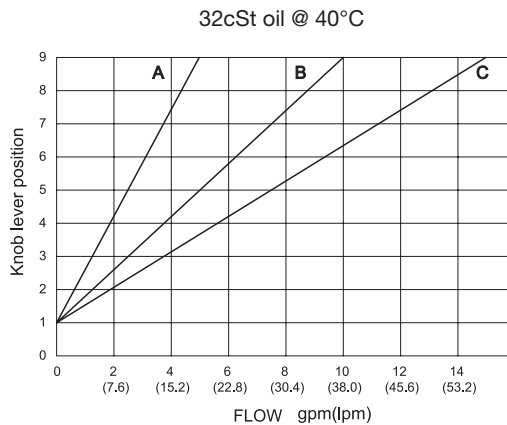
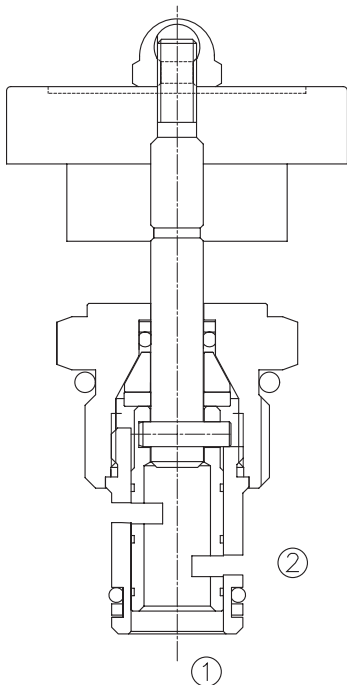
## SYMBOL



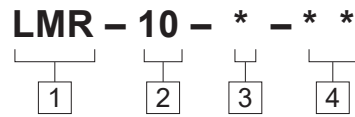
## SPECIFICATIONS

Operating Pressure	250bar
Flow	See PRESSURE DROP VS. FLOW graph.
Max. Flow Ranges	A: 0~18.9L/min. B: 0~37.8L/min. C: 0~56.8L/min.
Internal Leakage	164 ml /min max. at 250 bar
Temperature	-40°F to +250°F(-40°C to +120°C)
Filtration	See page N-1
Fluids	Mineral-based fluids with viscosities of 7.4 to 420 cSt.
Cavity	10-2, See page M-2
Housing Material	6061-T6 aluminum alloy rated to 207bar, Steel & Ductile iron rated to 350bar

## PRESSURE DROP VS.FLOW



**TO ORDER**



**1 Function**  
LMR=Manual-rotary Adjustable Flow Control Valve

**2 Size**  
10=10 Size

**3 Flow Ranges**  
A=0-18.9L/min  
B=0-37.8L/min  
C=0-56.8L/min

**3 Port Size**  
Omit=None  
6T=SAE6  
8T=SAE8  
3G=G 3/8  
4G=G 1/2

※ See page K-4 for detail of housing  
※ Other port sizes are available

F

**INSTALLATION DIMENSIONS**

Unit=Millimeters

