

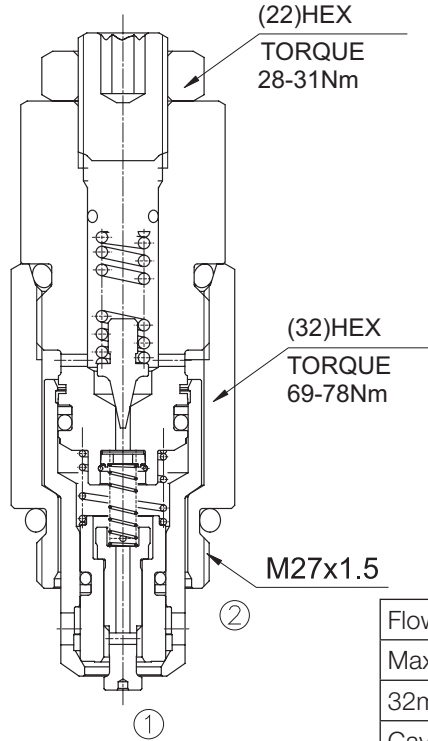
# Mobile Hydraulics



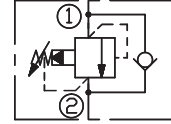
## LMHPRN14K-M27

### DESCRIPTION

An adjustable, pilot-operated spool-damping style circuit relief anti-cavitation valve.



### SYMBOL

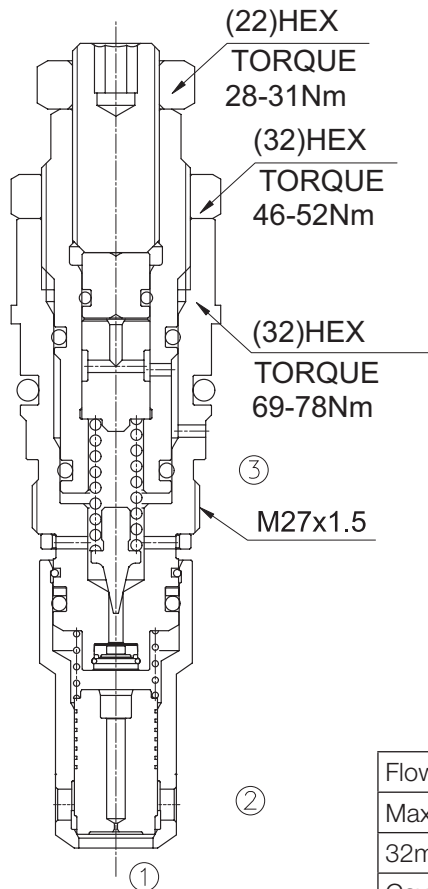


Flow:	160L/min
Max. Pressure:	42Mpa
32mm HEX Torque:	69-78Nm
Cavity:	12M-2, see page(M-18)

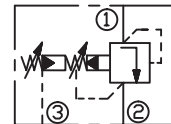
## LMHPRH14K-M27

### DESCRIPTION

A pilot-operated pressure relief valve with 2-stage pressure setting.



### SYMBOL



Flow:	160L/min
Max. Pressure:	42Mpa
32mm HEX Torque:	69-78Nm
Cavity:	12M-3, see page(M-18)