

LMP-08-L

Manual 2-Way Pull-to-open
Directional Valve

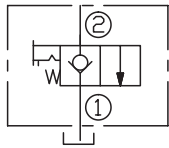
DESCRIPTION

A cartridge-style manual 2-way pull-to-open directional valve

OPERATION

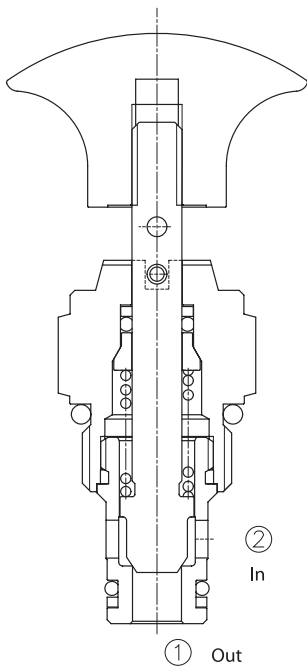
The valve blocks flow ② to ① until an operator pulls the shaft outward. A unique pull-and-rotate feature for holding the positive actuated position is optional. A 90° rotation is required to position at the hold slot. The valve resets to spring-return de-actuated with a slight pull and a 90° turn from the locked actuated position.

SYMBOL

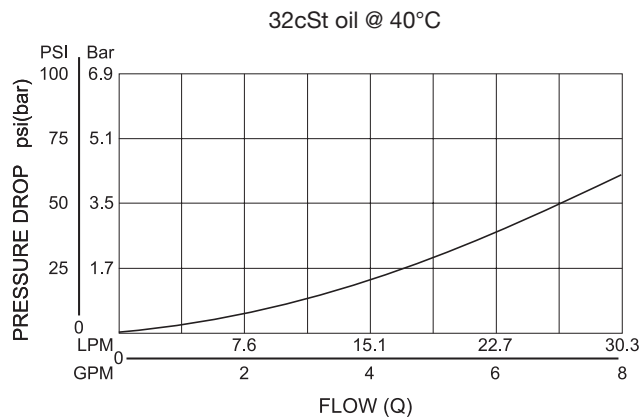


SPECIFICATIONS

Operating Pressure	210bar
Flow	See PRESSURE DROP VS.FLOW graph.
Internal Leakage	5 drops/min max. at 210bar
Temperature	-40°F to +250°F(-40°C to +120°C)
Filtration	See page N-1
Fluids	Mineral-based fluids with viscosities of 7.4 to 420 cSt.
Cavity	08-2, See page M-1
Housing Material	6061-T6 aluminum alloy rated to 207bar, Steel & Ductile iron rated to 350bar

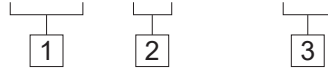


PRESSURE DROP VS.FLOW



TO ORDER

LMP - 08 - L - * *



1 Function

LMP=Manual, Spring
Return, Pull-to-shift

2 Size

08=08 Size

3 Port Size

Omit=None
4T=SAE4
6T=SAE6
2G=G 1/4
3G=G 3/8

※ See page K-1 for detail of housing
※ Other port sizes are available

D

INSTALLATION DIMENSIONS

Unit=Millimeters

