

LMER-08

Manual 2-Way Pull-to-open
Directional Valve With Microswitch

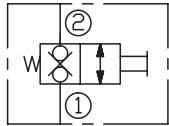
DESCRIPTION

A cartridge-style manual 2-way pull-to-open directional valve with microswitch

OPERATION

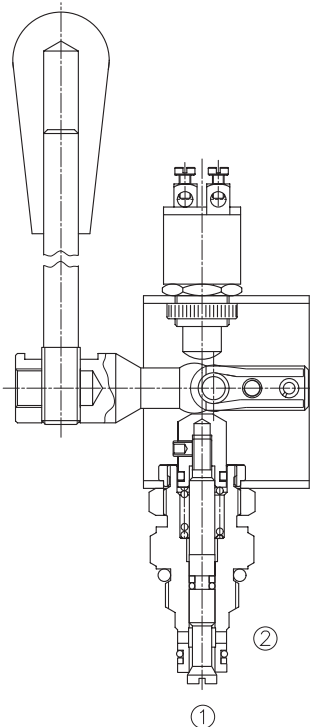
The valve blocks flow in both directions. When the plunger is actuated, the poppet opens, allowing flow in both directions.

SYMBOL

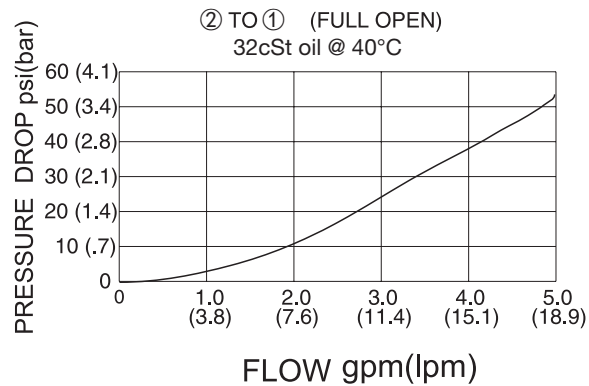


SPECIFICATIONS

Operating Pressure	250bar
Flow	See PRESSURE DROP VS.FLOW graph.
Internal Leakage	2 drops/min max. at 250bar
Temperature	-40°F to +250°F(-40°C to +120°C)
Filtration	See page N-1
Fluids	Mineral-based fluids with viscosities of 7.4 to 420 cSt.
Cavity	08-2, See page M-1
Housing Material	6061-T6 aluminum alloy rated to 207bar, Steel & Ductile iron rated to 350bar

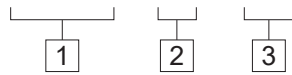


PRESSURE DROP VS.FLOW



TO ORDER

LMER - 08 - * *



1 Function
 LMER=Normally-Closed, Cartridge
 Mechanically-Operated Valve
 with Microswitch

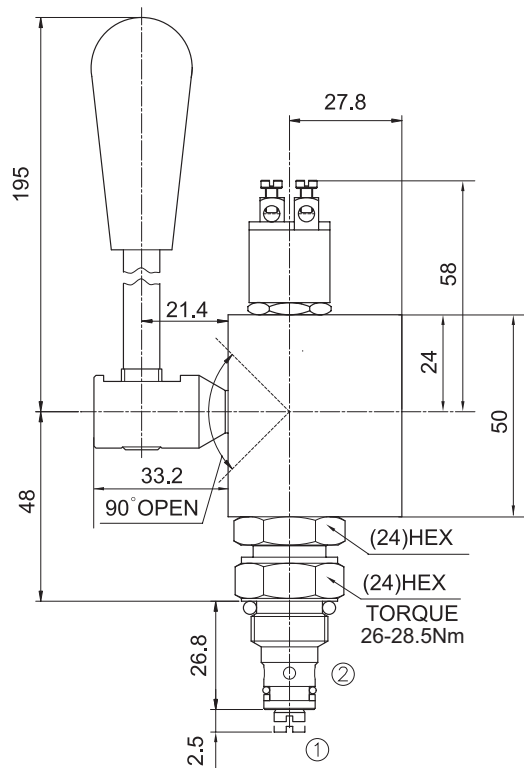
2 Size
 08=08 Size

3 Port Size
 Omit=None
 4T=SAE4
 6T=SAE6
 2G=G 1/4
 3G=G 3/8

※ See page K-1 for detail of housing
 ※ Other port sizes are available

D

INSTALLATION DIMENSIONS



Unit=Millimeters

SPECIAL POPPET CLEARANCE
 REQUIREMENT -CAVITY MUST
 HAVE .406(10.31)DIA.MIN.
 1.31(33.3)DEEP .MIN. FOR
 PROPER OPERATION.