

LSV2-08-3SA

3-Way,2-Position,
Poppet-type Solenoid Valve
(For gear box)

DESCRIPTION

A solenoid operated, 3-way, 2-position, poppet-type cartridge valve (For transmission application)

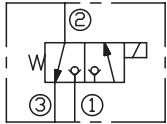
OPERATION

When de-energized, the valve allows flow from ② to ③ , while blocking flow at ① .
When energized, the cartridge's poppet shifts to allow flow from ① to ② , while blocking flow at ③ .

Operation of Manual Override Option

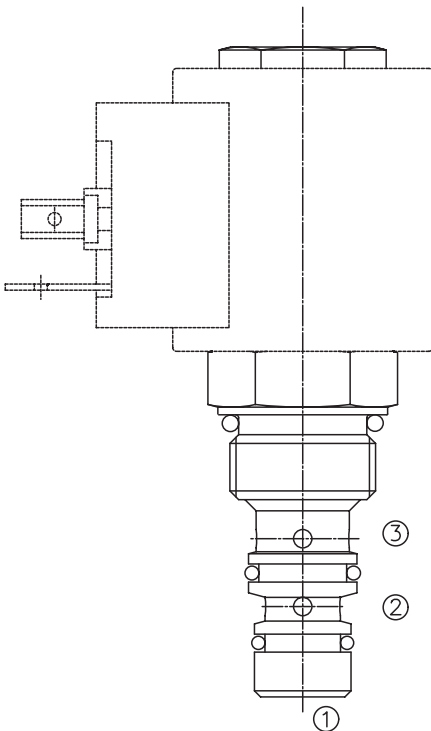
To override, push button in, twist counterclockwise 180°and release. In this position, valve will remain detented in the shifted condition. To return to normal operation, push button in, twist clockwise 180°and release. Override will be detented in this position.

SYMBOL



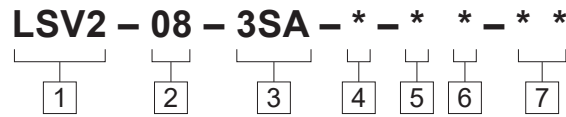
SPECIFICATIONS

Operating Pressure	28bar
Flow	3.5L/min.
Internal Leakage	2 drops/min max. at 28bar
Temperature	-40°F to +212°F(-40°C to +100°C)
Coil Duty Rating	Continuous from 85% to 115% of nominal voltage
Filtration	See page N-1
Fluids	Mineral-based fluids with viscosities of 7.4 to 420 cSt.
Cavity	08-3S,See page M-21
Housing Material	6061-T6 aluminum alloy rated to 207bar, Steel & Ductile iron rated to 350bar



PRESSURE DROP VS.FLOW

TO ORDER



- 1 Function**
LSV2=Solenoid Valve

- 2 Size**
08=08 Size

- 3 Flow Path**
3SA=3-Way

- 4 Manual Override Options**
Omit=None
M=Manual Override

- 5 Coil Voltage**
1=12 VDC
2=24 VDC
3=110 VAC
4=220 VAC
5=10 VDC
7=48 VDC
8=24 VAC

- 6 Coil Connector Type**
D= Double Lead
S= Single Lead
H= Hirschmann
C= Conduit
ER= Deutsch Connector(Water-proof Coil)
E= Single Stud
B= Double Spade

- 7 Port Size**
Omit=None
4T=SAE 4
6T=SAE 6
2G=G 1/4
3G=G 3/8

- ※Other port sizes are available

INSTALLATION DIMENSIONS

Coil Must Be Installed With Letter Up

Unit=Millimeters

