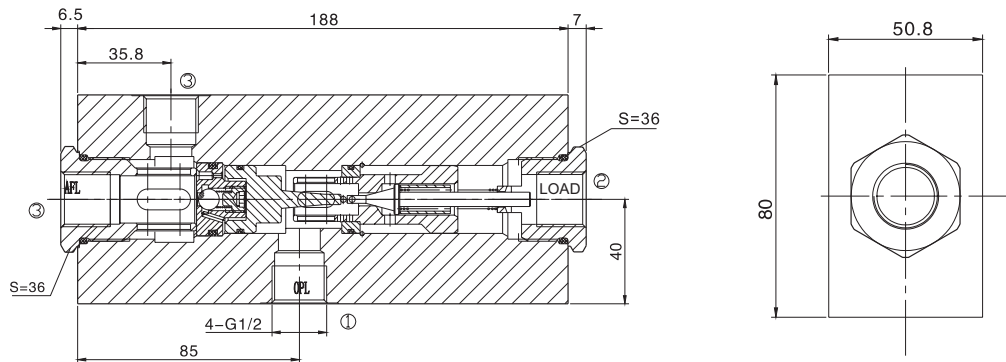


# LMB-CB17

Load Control Valve

## DESCRIPTION

Load Control Valve

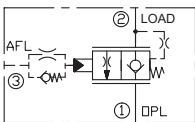


## OPERATION

This valve allows free flow from port ① to port ② and blocks flow from port ② to port ① or holding a load. Flow will be allowed from port ② to port ① when pressure is applied to pilot ③.

This pilot operated check valve has a 21.5:1 pilot ratio, meaning that it takes at least 1/21.5 of the load pressure held at port ② required at pilot ③ to open the valve.

## SYMBOL

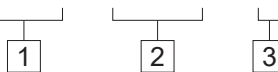


## SPECIFICATIONS

Max. Operating Pressure	350bar
Flow	200 l/min.
Pilot Ratio	21.5:1
Internal Leakage	2 drops/min max. at 350 bar
Cracking Pressure	0.3bar
Temperature	-40°F to +250°F (-40°C to +120°C)
Filtration	See page N-1
Fluids	Mineral-based fluids with viscosities of 7.4 to 420 cSt.
Housing Material	Steel & Ductile iron rated to 350bar

## TO ORDER

**LMB – CB17 – \***



**1 Function**  
LMB=Load Control Valve

**2 Size**  
CB17=CB17 Size

**3 Housing Material**  
Omit= Aluminum  
S=Steel