

LPD2-10-34

Piloted 2-Way Spool
Directional Valve

DESCRIPTION

A cartridge-style 2-way pilot-operated spool-type external-vent directional valve

OPERATION

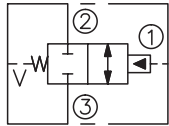
Unpiloted, the valve blocks flow from ③ to ② bidirectionally.

V is a spring chamber vent-to-atmosphere, which is internally O-ring sealed from the cartridge flow paths.

On remote pilot signal at ①, the valve shifts to open ② to ③ bidirectionally.

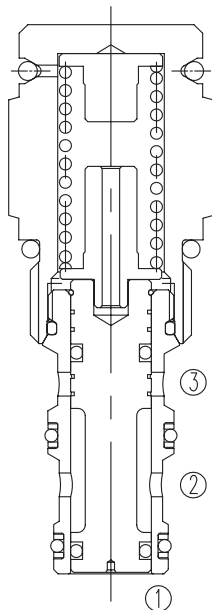
Because of the vented spring chamber, the cartridge may be fully pressurized at any port without affecting required pilot pressure.

SYMBOL

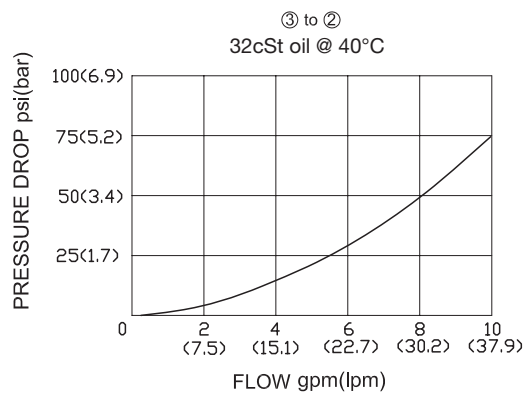


SPECIFICATIONS

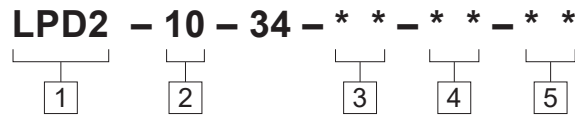
Operating Pressure	240bar
Flow	See PRESSURE DROP VS.FLOW graph.
Internal Leakage	82cc/min max. at 240bar
Pilot Pressure Required	To Full Spool Shift for 4.1bar spring 4.7bar for 7.6bar spring 8.6bar
Temperature	-40°F to +250°F(-40°C to +120°C)
Filtration	See page N-1
Fluids	Mineral-based fluids with viscosities of 7.4 to 420 cSt.
Cavity	10-3, See page M-2
Housing Material	6061-T6 aluminum alloy rated to 207bar, Steel & Ductile iron rated to 350bar



PRESSURE DROP VS.FLOW



TO ORDER



1 Function
 LPD2=Piloted Two-way Spool
 Directional Valve

2 Size
 10=10 Size

3 Bias Spring
 4=40psi(2.8bar)
 6=60psi(4.1bar)
 11=110psi(7.6bar)
 17=170psi(11.7bar)

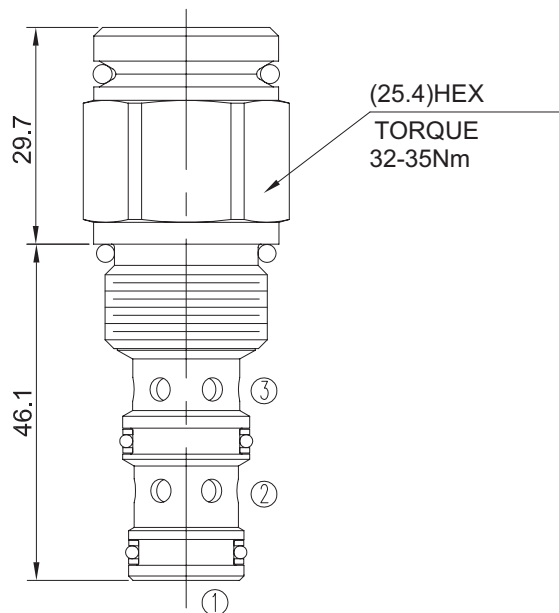
4 Seal Kits
 N=Buna N(Std)
 NS=Buna N with sealed piston
 110psi(7.6bar)minimum spring
 V=V-Fluorocarbon
 VS= VS-Fluorocarbon with sealed piston
 110psi(7.6bar)minimum spring

5 Port Size
 Omit=None
 6T=SAE6
 8T=SAE8
 2G=G 1/4
 3G=G 3/8

※ See page K-5 for detail of housing
 ※ Other port sizes are available

INSTALLATION DIMENSIONS

Unit=Millimeters



D