

# LSV2-08-2 NORP

2-Way,2-Position,Normally open  
Poppet-type Solenoid Valve

## DESCRIPTION

A solenoid operated, 2-way, 2-position, normally open, poppet-type cartridge valve with reverse flow de-energized.

## OPERATION

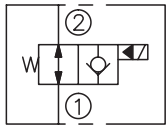
When de-energized, the poppet lifts to open flow from ② to ① . Flow is also open from ① to ② .

When energized ,the cartridge acts as a check valve, allowing flow from ① to ② while blocking flow from ② to ① , after overcoming the solenoid force (requires 3.4 to 10.3 bar [50 to 150 psi]).

## Operation of Manual Override Option

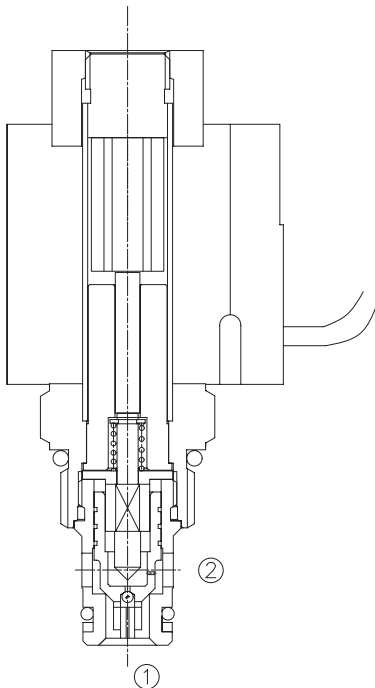
To override, push button in to activate. To return to normal valve function, release button.

## SYMBOL

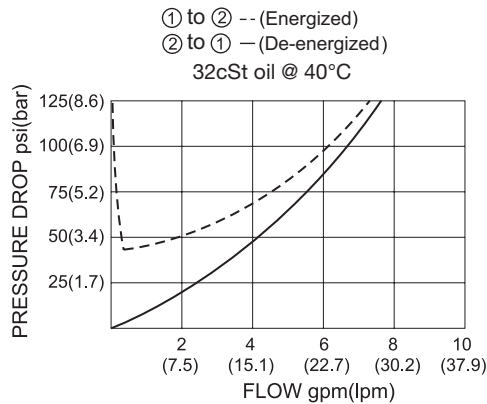


## SPECIFICATIONS

Max.Operating Pressure	207bar
Flow	See PRESSURE DROP VS.FLOW graph.
Internal Leakage	2 drops/min max. at 207bar
Temperature	-40°F to +212°F(-40°C to +100°C)
Coil Duty Rating	Continuous from 85% to 115% of nominal voltage
Filtration	See page N-1
Fluids	Mineral-based fluids with viscosities of 7.4 to 420 cSt.
Cavity	08-2,See page M-1
Housing Material	6061-T6 aluminum alloy rated to 207bar, Steel & Ductile iron rated at 350bar

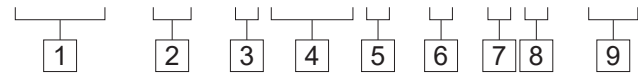


## PRESSURE DROP VS.FLOW



**TO ORDER**

**LSV2 - 08 - 2 NOR P - \* - \* \* - \* \***



- 1 Function**  
LSV2=Solenoid Valve

---

- 2 Size**  
08=08 Size

---

- 3 Flow Path**  
2=2-Way

---

- 4 Style**  
NOR=Normally Open, Reverse  
Flow De-energized

---

- 5 Type**  
P=Poppet

---

- 6 Manual Override Options**  
Omit=None  
M=Manual Override

- 7 Coil Vlotage**  
1=12 VDC  
2=24 VDC  
3=110 VAC  
4=220 VAC  
5=10 VDC  
7=48 VDC  
8=24 VAC

---

- 8 Coil Connector Type**  
D= Double Lead  
S= Single Lead  
H= Hirschmann  
ER= Deutsch Connector(Water-proof Coil)  
E= Single Stud  
B= Double Spade

- 9 Port Size**  
Omit=None  
4T=SAE 4  
6T=SAE 6  
2G=G 1/4  
3G=G 3/8

※ See page K-1 for detail of housing  
 ※ Other port sizes are available

**INSTALLATION DIMENSIONS**

Coil Must Be Installed With Letter Up

Unit=Millimeters

