

LSV6-08-2 NOSP

2-Way,2-Position,Bi-directional
 Normally open,Poppet-type
 Solenoid Valve

DESCRIPTION

A solenoid operated, 2-way, 2-position, normally open, poppet-type bi-directional cartridge valve.

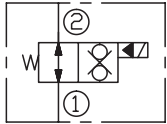
OPERATION

When de-energized, the poppet allows flow in both directions. When energized, the valve blocks flow in both directions.

Operation of Manual Override Option

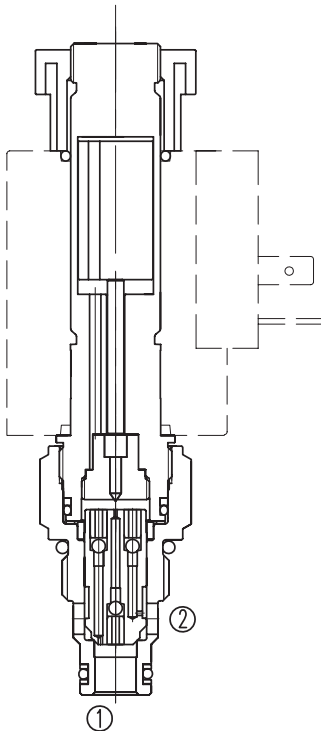
To override, push button in to activate. To return to normal valve function, release button.

SYMBOL

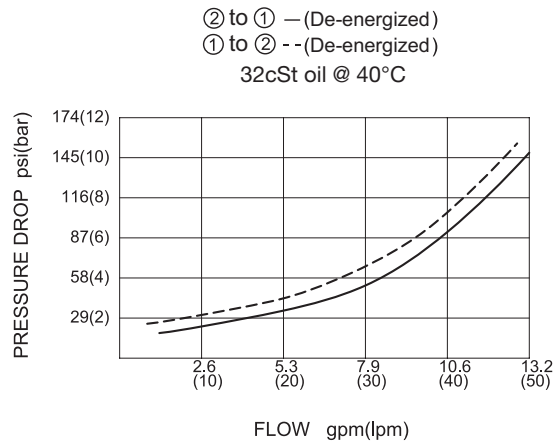


SPECIFICATIONS

Max.Operating Pressure	350bar
Flow	See PRESSURE DROP VS.FLOW graph.
Internal Leakage	5drops/min max. at 350 bar
Temperature	-40°F to +212°F(-40°C to +100°C)
Coil Duty Rating	Continuous from 85% to 115% of nominal voltage
Filtration	See page N-1
Fluids	Mineral-based fluids with viscosities of 7.4 to 420 cSt.
Cavity	08-2,See page M-1
Housing Material	Steel & Ductile iron rated to 350bar

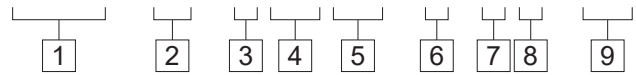


PRESSURE DROP VS.FLOW



TO ORDER

LSV6 – 08 – 2 NO SP – * – * * – * *



- 1 Function**
LSV6=Solenoid Valve

- 2 Size**
08=08 Size

- 3 Flow Path**
2=2-Way

- 4 Style**
NO=Normally Open

- 5 Type**
SP=Poppet

- 6 Manual Override Options**
Omit=None
M=Manual Override

- 7 Coil Voltage**
1=12 VDC
2=24 VDC
3=110 VAC
4=220 VAC
7=48 VDC
8=24 VAC
9=72 VDC

- 8 Coil Connector Type**
D= Double Lead
H= Hirschmann
S= Single Lead
ER= Deutsch Connector(Water-proof Coil)
B= Double Spade

- 9 Port Size**
Omit=None
6T=SAE 6
3G=G 3/8

- ※See page K-1 for detail of housing
- ※Other port sizes are available

INSTALLATION DIMENSIONS

Coil Must Be Installed With Letter Up

Unit=Millimeters

