

LSV5-08-2 NOS

2-Way,2-Position,Normally open,
Spool-type Solenoid Valve

DESCRIPTION

A solenoid operated, 2-way, 2-position, normally open, spool-type cartridge valve.

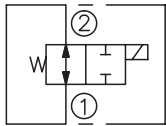
OPERATION

When de-energized, the valve allows flow in both directions. When energized, the cartridge's spool shifts to block flow in both directions.

Operation of Manual Override Option

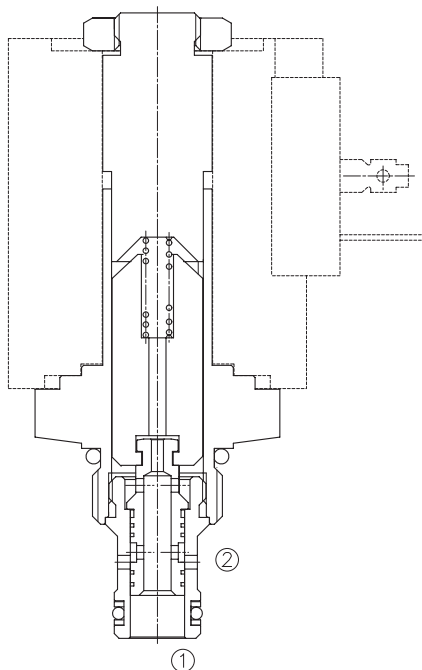
To override, push button in, twist counterclockwise 180° and release. In this position, valve will remain close in a detented condition. To return to normal operation, push button in, twist clockwise 180° and release. Override will be detented in this position.

SYMBOL

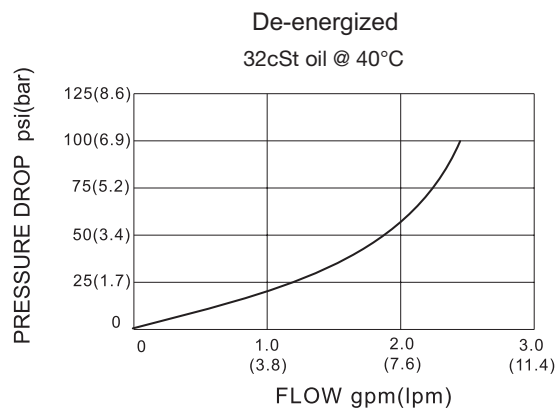


SPECIFICATIONS

| | |
|--------------------|--|
| Operating Pressure | 315bar |
| Flow | See PRESSURE DROP VS.FLOW graph. |
| Internal Leakage | 82 cc/min max. at 280bar |
| Temperature | -40°F to +212°F(-40°C to +100°C) |
| Coil Duty Rating | Continuous from 85% to 115% of nominal voltage |
| Filtration | See page N-1 |
| Fluids | Mineral-based fluids with viscosities of 7.4 to 420 cSt. |
| Cavity | 08-2,See page M-1 |
| Housing Material | 6061-T6 aluminum alloy rated to 207bar, Steel & Ductile iron rated to 350bar |



PRESSURE DROP VS.FLOW



TO ORDER

LSV5 - 08 - 2 NO S - * - * * - * *

┌───┐
┌──┐
┌──┐
┌──┐
┌──┐
┌──┐
┌──┐
┌──┐
┌──┐

- 1 Function**
LSV5=Solenoid Valve

- 2 Size**
08=08 Size

- 3 Flow Path**
2=2-Way

- 4 Style**
NO=Normally Open

- 5 Type**
S=Spool

- 6 Manual Override Options**
Omit=None
M=Manual Override

- 7 Coil Voltage**
1=12 VDC
2=24 VDC
3=110 VAC
4=220 VAC
5=10 VDC

- 8 Coil Connector Type**
D= Double Lead
H= Hirschmann
C= Conduit
ER= Deutsch Connector(Water-proof Coil)
B= Double Spade

- 9 Port Size**
Omit=None
4T=SAE 4
6T=SAE 6
2G=G 1/4
3G=G 3/8

- ※ See page K-1 for detail of housing
- ※ Other port sizes are available

INSTALLATION DIMENSIONS

Coil Must Be Installed With Letter Up

Unit=Millimeters

