

# LSV6-16-2 NOSP

2-Way,2-Position,Bi-directional  
 Normally open,Poppet-type  
 Solenoid Valve

## DESCRIPTION

A solenoid operated, 2-way, 2-position, normally open, poppet-type bi-directional cartridge valve.

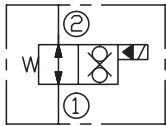
## OPERATION

When de-energized, the poppet allows flow in both directions. When energized, the valve blocks flow in both directions.

## Operation of Manual Override Option

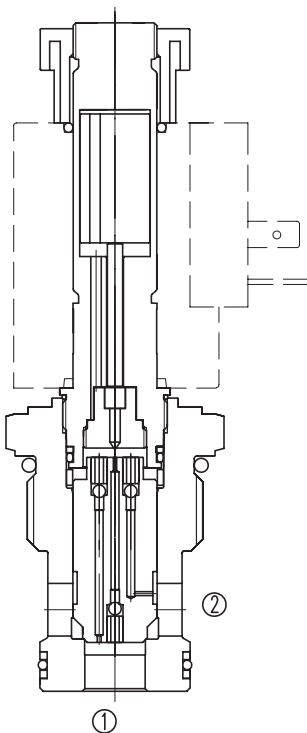
To override, push button in to activate. To return to normal valve function, release button.

## SYMBOL

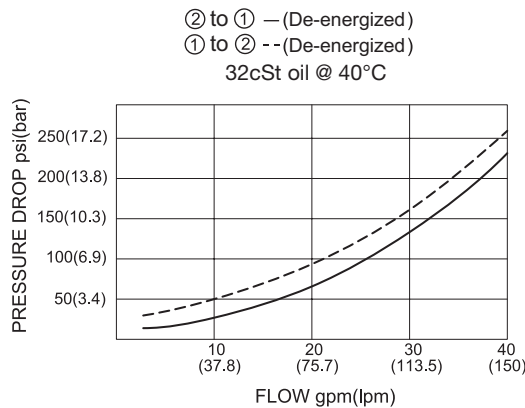


## SPECIFICATIONS

Max.Operating Pressure	350bar
Flow	See PRESSURE DROP VS.FLOW graph.
Internal Leakage	5drops/min max. at 350 bar
Temperature	-40°F to +212°F(-40°C to +100°C)
Coil Duty Rating	Continuous from 85% to 115% of nominal voltage
Filtration	See page N-1
Fluids	Mineral-based fluids with viscosities of 7.4 to 420 cSt.
Cavity	16-2,See page M-3
Housing Material	Steel & Ductile iron rated to 350bar



## PRESSURE DROP VS.FLOW



**TO ORDER**

**LSV6 – 16 – 2 NO SP – \* – \* \* – \* \***

┌───┐
┌──┐
┌──┐
┌──┐
┌──┐
┌──┐
┌──┐
┌──┐
┌──┐

<p><b>1 Function</b> LSV6=Solenoid Valve</p>	<p><b>7 Coil Voltage</b>                  1=12 VDC                  2=24 VDC                  3=110 VAC                  4=220 VAC                  7=48 VDC                  8=24 VAC                  9=72 VDC</p>	<p><b>9 Port Size</b>                  Omit=None                  16T=SAE 16                  8G=G 1</p>
<p><b>2 Size</b> 16=16 Size</p>	<p><b>8 Coil Connector Type</b>                  D= Double Lead                  H= Hirschmann                  S= Single Lead                  ER= Deutsch Connector(Water-proof Coil)                  B= Double Spade</p>	<p>※ See page K-9 for detail of housing                  ※ Other port sizes are available</p>
<p><b>3 Flow Path</b> 2=2-Way</p>		
<p><b>4 Style</b> NO=Normally Open</p>		
<p><b>5 Type</b> SP=Poppet</p>		
<p><b>6 Manual Override Options</b>                  Omit=None                  M=Manual Override</p>		

**INSTALLATION DIMENSIONS**

Coil Must Be Installed With Letter Up

Unit=Millimeters

