

# LSV2-07-3

3-Way,2-Position,  
Spool-type Solenoid Valve

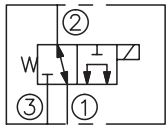
## DESCRIPTION

A solenoid operated, 3-way, 2-position, spool-type cartridge valve.

## OPERATION

When de-energized, the valve allows flow from ② to ① or from ① to ② ,while blocking flow at ③ . When energized, the cartridge's spool shifts to allow flow from ① to ③ or from ③ to ① , while blocking flow at ② .

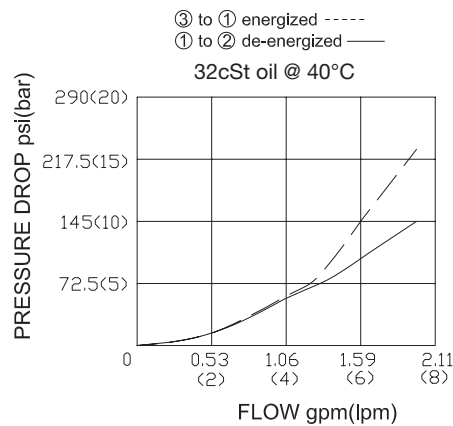
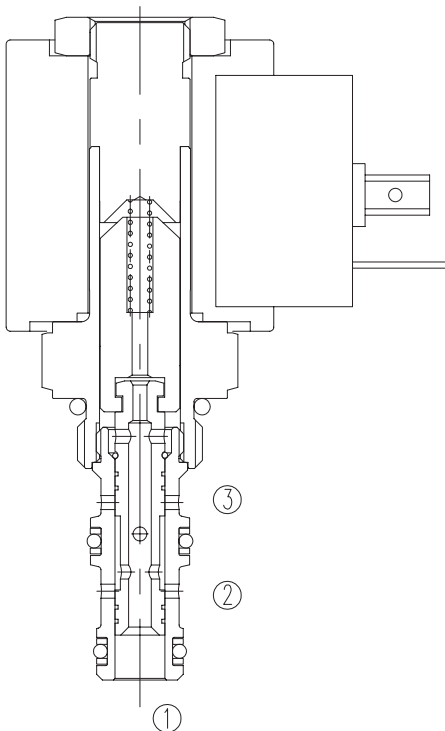
## SYMBOL



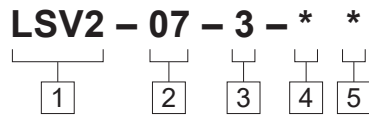
## SPECIFICATIONS

Operating Pressure	207bar
Flow	See PERFORMANCE CHARACTERISTIC graph.
Internal Leakage	(per land)82cc/min max. at 207bar
Temperature	-40°F to +212°F(-40°C to +100°C)
Coil Duty Rating	Continuous from 85% to 115% of nominal voltage
Filtration	See page N-1
Fluids	Mineral-based fluids with viscosities of 7.4 to 420 cSt.
Cavity	07-3,See page M-25
Housing Material	6061-T6 aluminum alloy rated to 207bar, Steel & Ductile iron rated to 350bar

## PRESSURE DROP VS.FLOW



**TO ORDER**



<p><b>1 Function</b> LSV2=Solenoid Valve</p>	<p><b>4 Coil Voltage</b>                  1=12 VDC                  2=24 VDC                  3=110 VAC                  4=220 VAC                  5=10 VDC                  7=48 VDC                  8=24 VAC</p>	<p><b>5 Coil Connector Type</b>                  D= Double Lead                  S= Single Lead                  H= Hirschmann                  ER= Deutsch Connector(Water-proof Coil)                  E= Single Stud                  B= Double Spade</p>
<p><b>2 Size</b> 07=07 Size</p>		
<p><b>3 Flow Path</b> 3=3-Way</p>		

**INSTALLATION DIMENSIONS**

Coil Must Be Installed With Letter Up

Unit=Millimeters

