

LPOSRV2K-M33

Pilot-operated Pressure Limitation
And Feed Valve With External
Drain Port

DESCRIPTION

A pilot-operated pressure limitation and feed valve with external drain port.

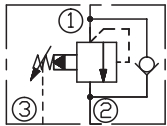
OPERATION

The valve prevents flow from ① to ② until pressure at ① exceeds the set Cracking Pressure and opens the pilot section. The pilot flow creates a pressure differential across the poppet which causes the valve to open allowing flow ① or ② protecting the circuit from over pressurization.

If the pressure at ② is at least 2 bar higher than pressure at ①. The main poppet will be lifted out of its seat, to allow flow from ② to ①, This feed function is used to make up for lacking hydraulic fluid volumes.

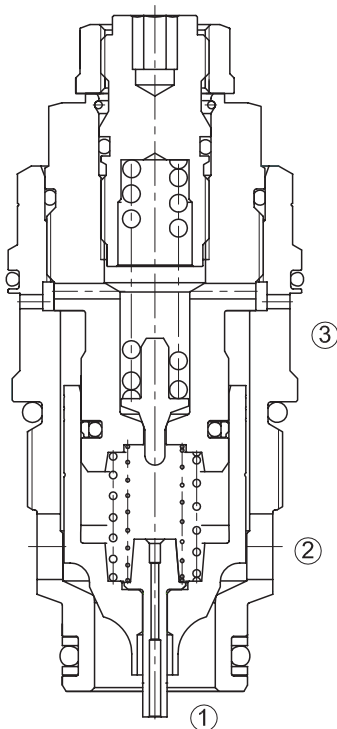
Pressure at port ③ is directly additive to the valve setting at a 1:1 ratio and should not exceed 420bar.

SYMBOL

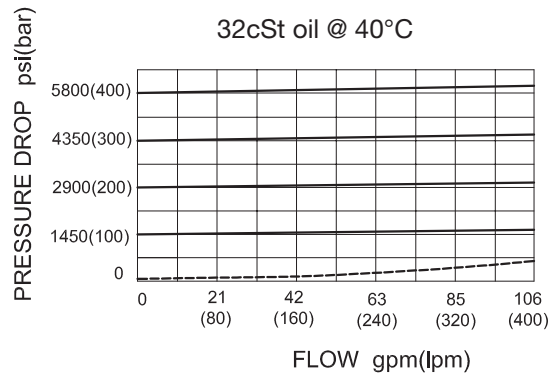


SPECIFICATIONS

Max. Operating Pressure	420bar
Max. Flow	400L/min
Internal Leakage	10 drops/min max. to 80% of nominal setting
Temperature	-40°F to +250°F (-40°C to +120°C)
Filtration	See page N-1
Fluids	Mineral-based fluids with viscosities of 7.4 to 420 cSt.
Cavity	Rexroth-HK, See page M-30
Housing Material	Steel & Ductile iron rated to 350bar

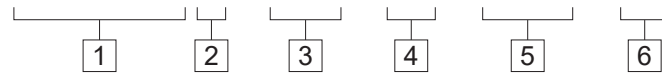


PRESSURE DROP VS. FLOW



TO ORDER

LPOSRV2 K – M33 – * * / * * * * – * *



<p>1 Function LPOSRV2= Adjustable Pilot-operated Cartridge Relief Valve</p>	<p>4 Spring Ranges 60=1450-6050psi(100-420bar) Preset:3600psi(250bar)</p>	<p>6 Port Size Omit=None 8T=SAE 8 10T=SAE 10 4G=G 1/2 6G=G 3/4</p>
<p>2 External Drain Port</p>	<p>5 Optional Pressure Setting Omit=Standard Setting Example:0250=250bar</p>	
<p>3 Size M33=M33 Size</p>		<p>※Other port sizes are available</p>

INSTALLATION DIMENSIONS

Unit=Millimeters

