

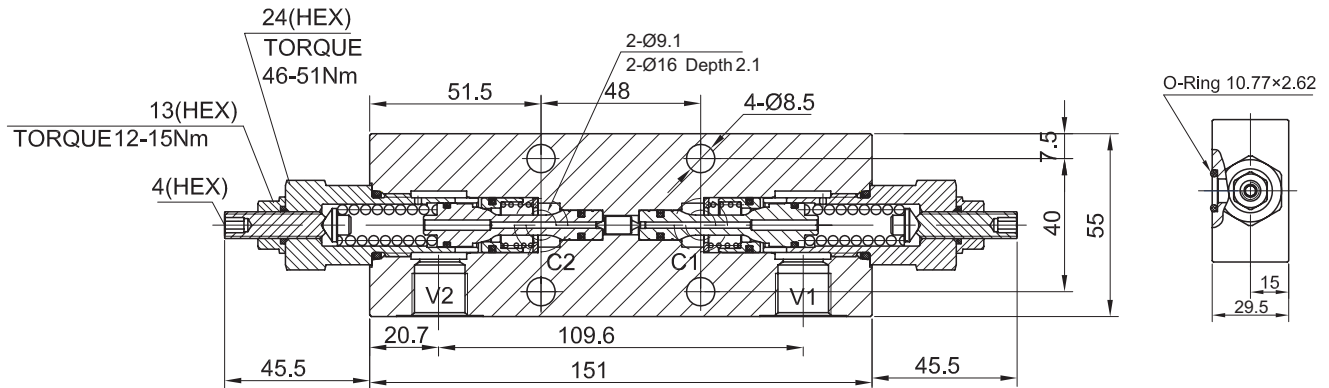
# DCB-MMB2-DE30G-3G



Dual Counterbalance Manifolds

## DESCRIPTION

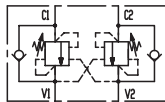
Dual counterbalance manifolds



## OPERATION

It provides static and dynamic control of load by regulating the flow IN and OUT of the actuator, through ports C1 and C2. This valve module includes 2 sections, each one composed by a check and a relief valve pilot assisted by pressure in the opposite line: the check section allows free flow into actuator, then locks the load against reverse movement; with pilot pressure applied at line across, the pressure setting of the relief is reduced in proportion to the stated ratio until opening and allowing controlled reverse flow. Back-pressure at V1 or V2 is additive to pressure settings in all functions.

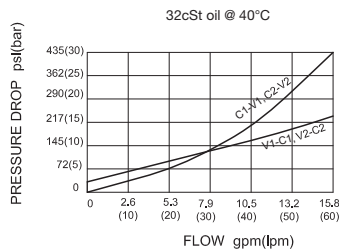
## SYMBOL



## SPECIFICATIONS

Max. Operating Pressure	350bar
Flow	See PRESSURE DROP VS.FLOW graph.
Pilot Ratio	4.2:1
Internal Leakage	5 drops/min. at nominal pressure
Temperature	-40°F to +250°F(-40°C to +120°C)
Filtration	See page N-1
Fluids	Mineral-based fluids with viscosities of 7.4 to 420 cSt.
Housing Material	Steel & Ductile iron rated to 350bar

## PRESSURE DROP VS.FLOW



## TO ORDER

### DCB – MMB2 – DE30G – 3G – \* \*



<b>1</b> Function DCB=Dual Counterbalance	<b>5</b> Port Size 3G=G 3/8	<b>6</b> Spring Ranges 35=1450-5000psi(100-350bar) Preset:5000psi(350bar) 130bar/Turn 21=870-3000psi(60-210bar) Preset:3000psi(210bar) 65bar/Turn Factory pressure setting established at 5l/min
<b>2</b> ConnectionType	※Other port sizes are available	
<b>3</b> Size		
<b>4</b> Pilot Ratio G=4.2:1		