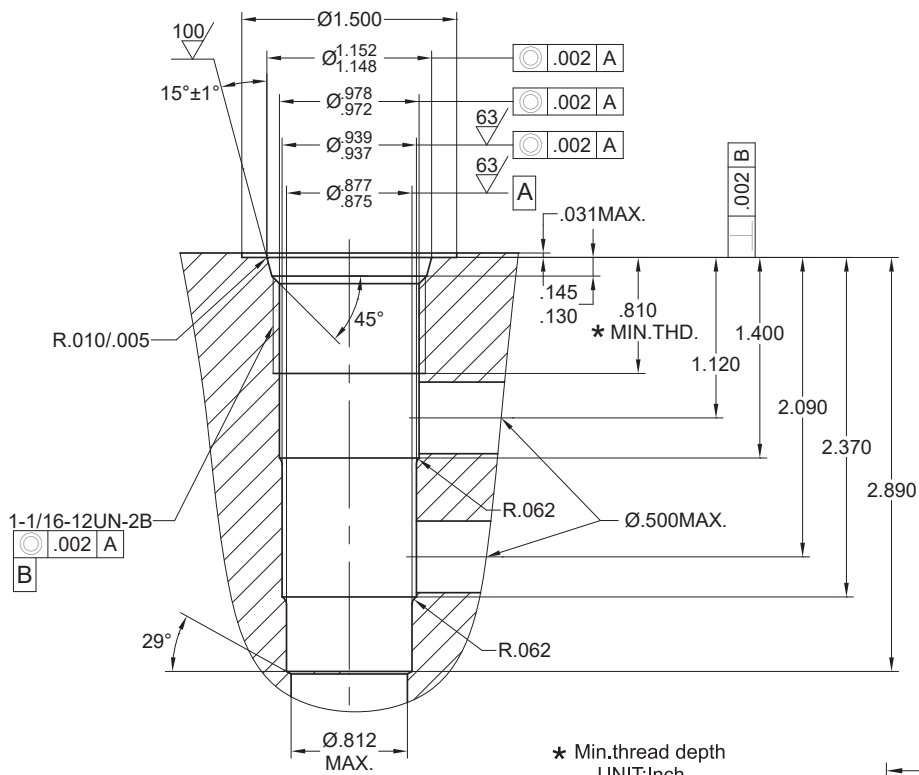
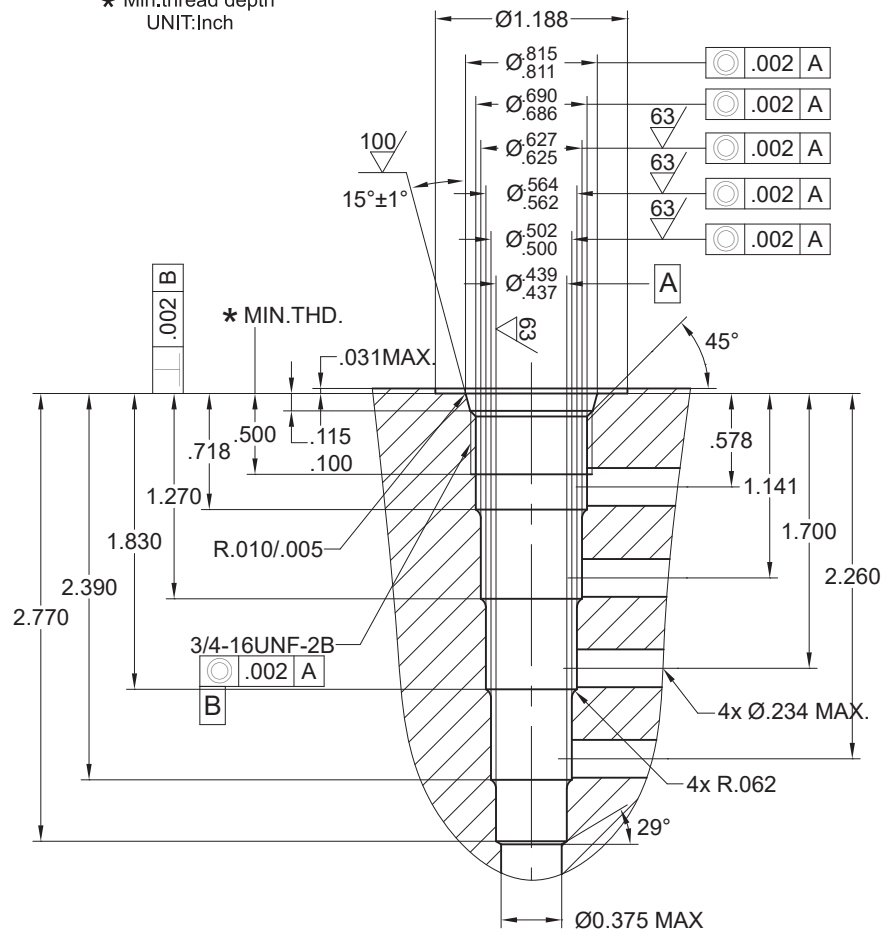


CAVITY



CAVITY: 12-3

\star Min.thread depth
UNIT:Inch



CAVITY: 08-5

\star Min.thread depth
UNIT:Inch