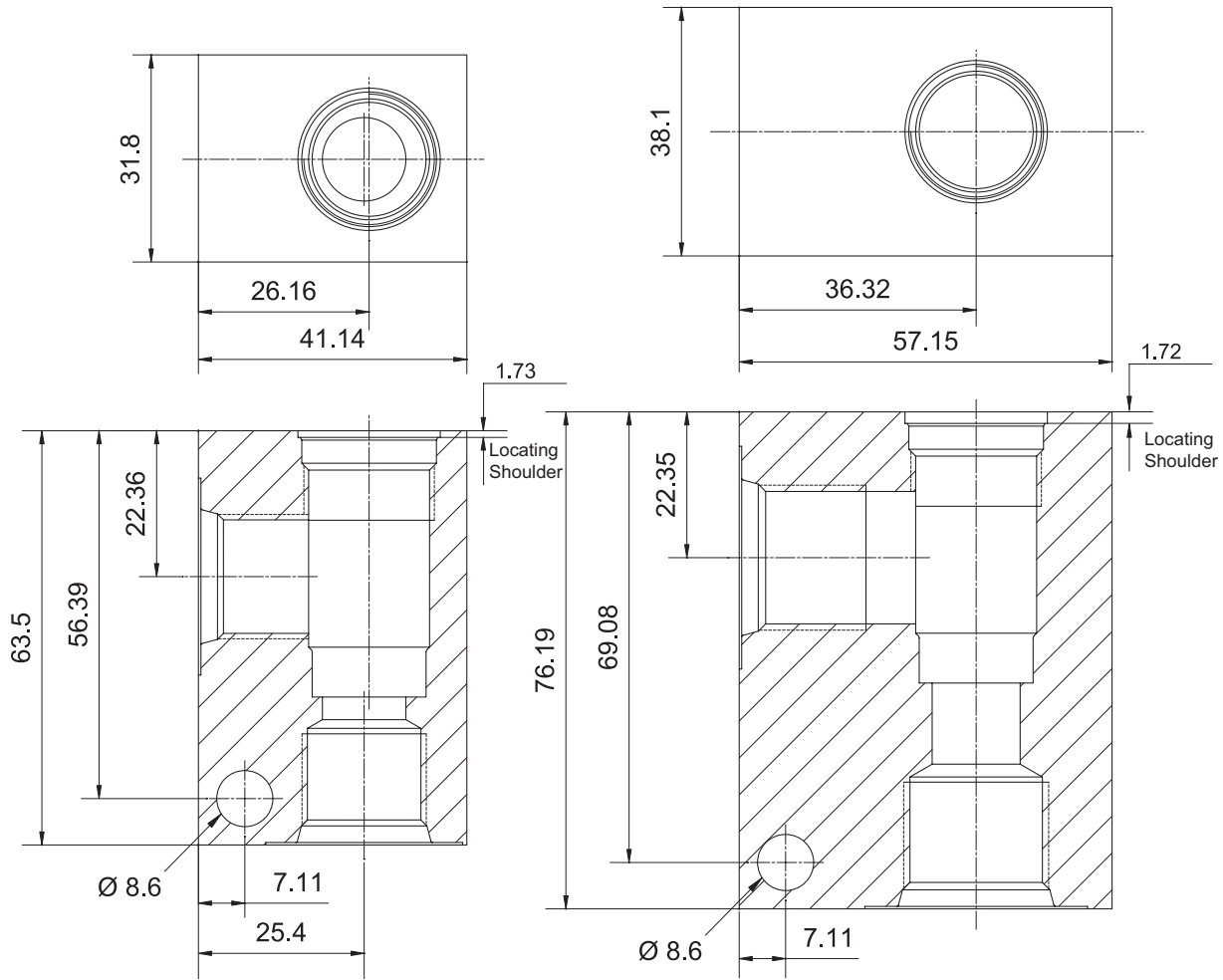


Standard Housing

Series SUN T-10A Housings



Unit=Millimeters

| Part No. | Ports |
|----------|-----------|
| LFAA | 1/4" NPTF |
| LFAB | 3/8" NPTF |
| LFAH | SAE4 |
| LFAI | SAE6 |
| LFAJ | SAE8 |
| LFAT | G 1/4 |
| LFAU | G 3/8 |

| Part No. | Ports |
|----------|-----------|
| LFAC | 1/2" NPTF |
| LFAD | 3/4" NPTF |
| LFAK | SAE10 |
| LFAL | SAE12 |
| LFAV | G 1/2 |
| LFAW | G 3/4 |

| Material | Operating Pressure | Part No. |
|------------------|--------------------|----------|
| Aluminum,6061-T6 | 210 bar (3000 psi) | **** |
| Steel | 350 bar (5000 psi) | ****-S |