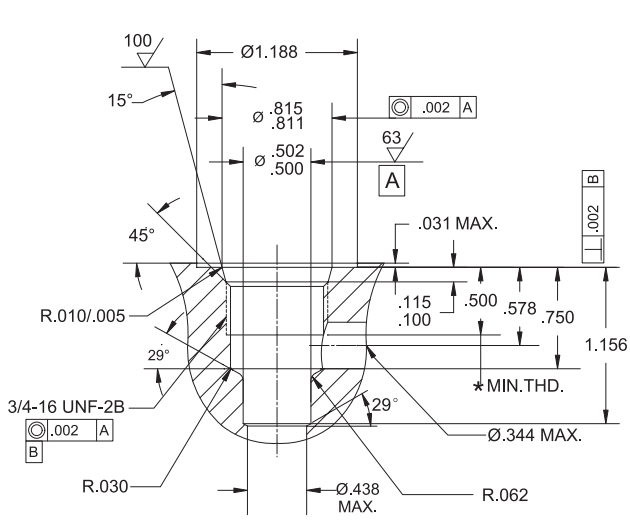
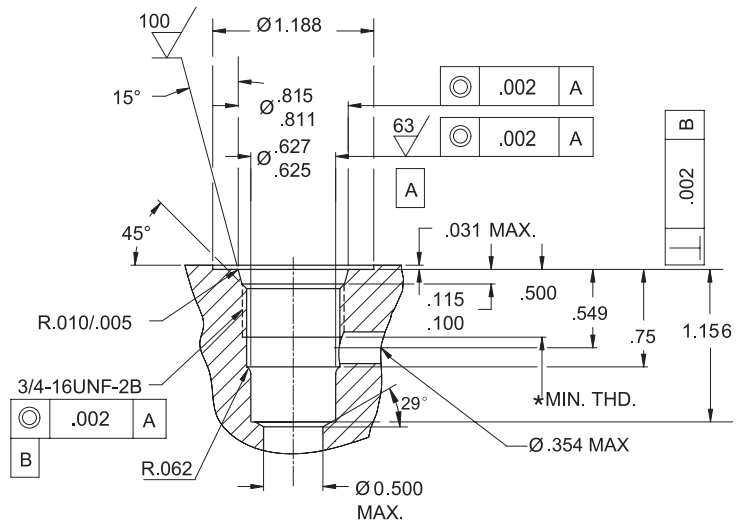


CAVITY



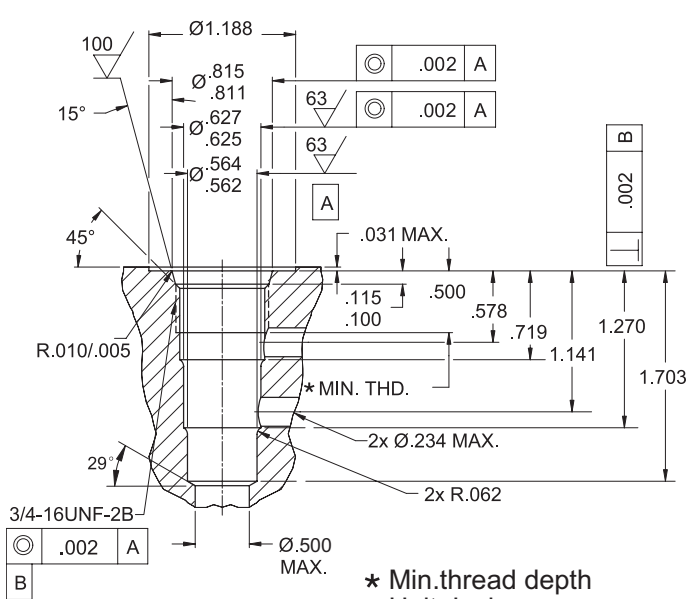
* Min.thread depth
Unit: Inch

CAVITY:08-2



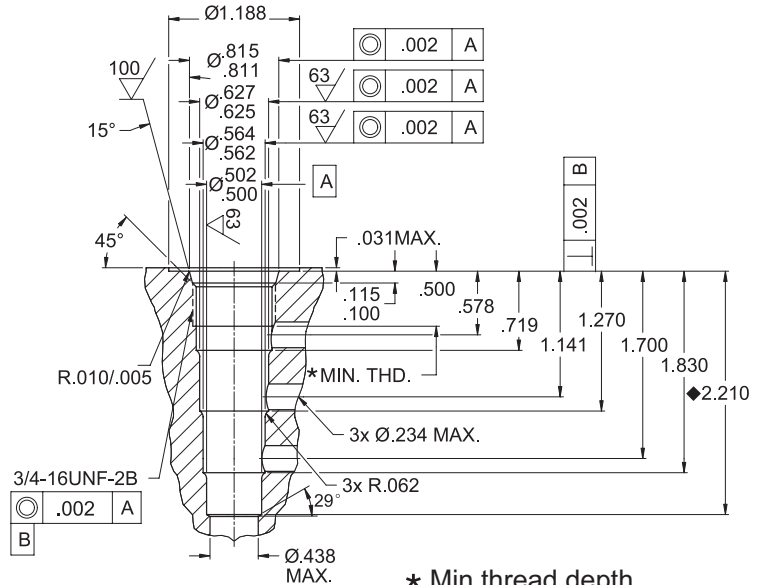
* Min.thread depth
Unit: Inch

CAVITY: 08S-2



* Min.thread depth
Unit: Inch

※ CAVITY: 08-3



* Min.thread depth
Unit: Inch

CAVITY: 08-4

※ If cavity is to fit following valves (LSV2-08-3B, LMP-08-3B-L), or orifice, pilot drill $\varnothing 0.500$ is required with min. depth of 1.81 from spotface.

◆ If cavity is to fit valves LSPC-08-4 or LDPC-08, $\varnothing 0.500/0.502$ is required with minimum depth of 2.2 inch (56mm) from spotface.