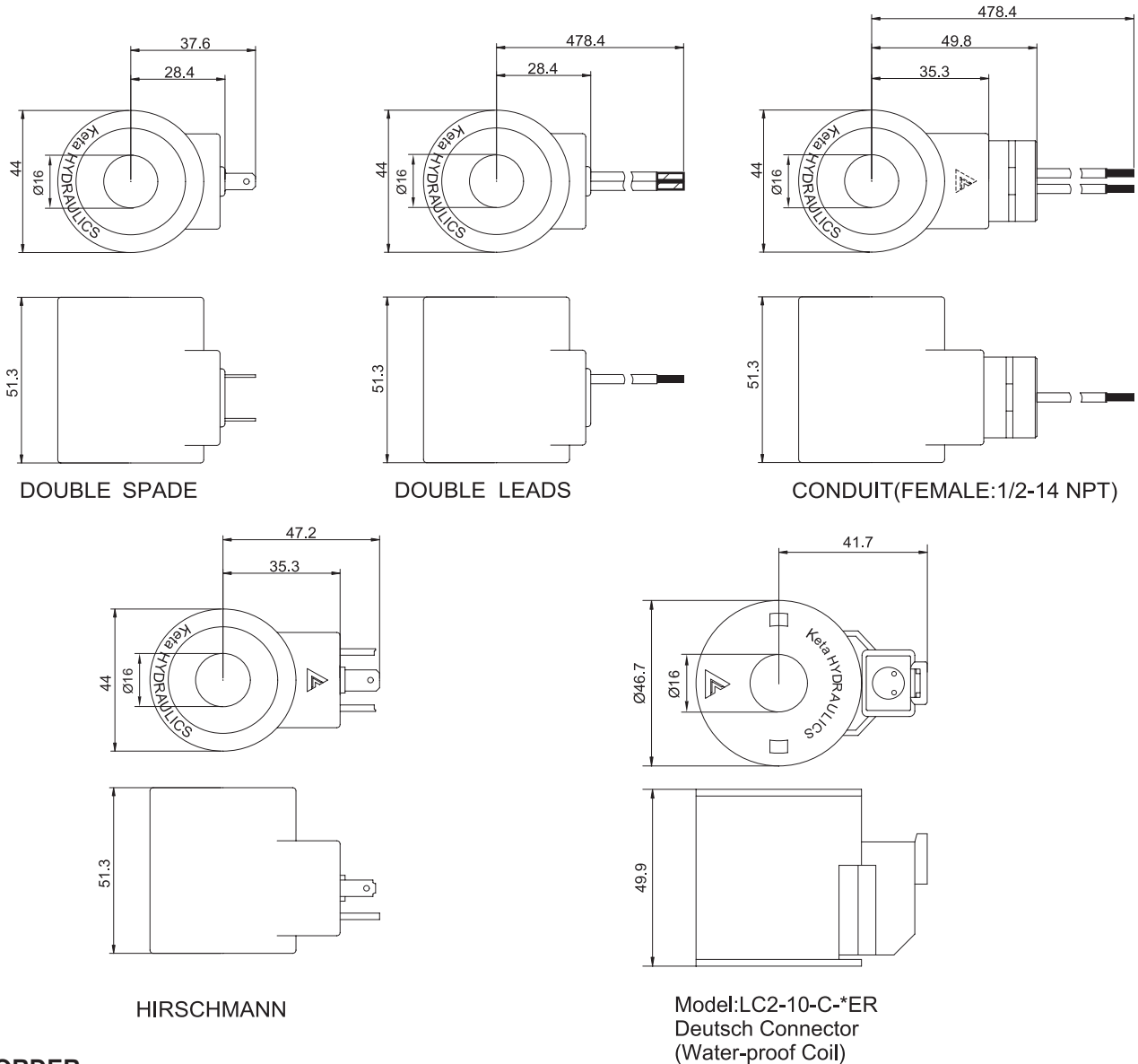


SOLENOID COIL DATA 10 series

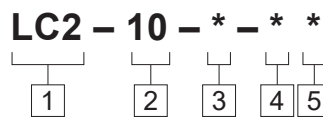
Coil Must Be Installed With Letter Up

Unit=Millimeters



C

TO ORDER



Voltage (V)	Power (W)	Resistance ($\Omega \pm 7\% [T_a=20-25^\circ\text{C}]$)
12VDC	20	7.2
24VDC	20	28.8
110VAC	20	—
220VAC	20	—
10VDC	20	5

1 Function
LC2=Solenoid Coil

2 Size
10=10 Size

3 Shape
S=Square
C=Cylindrical

4 Coil Voltage

1=12 VDC	RED	LEAD
2=24 VDC	BLUE	LEAD
3=110VAC	BLACK	LEAD
4=220VAC	YELLOW	LEAD
5=10 VDC	GRAY	LEAD

5 Coil Connector Type

- D= Double Lead
- H= Hirschmann
- C= Conduit
- ER= Deutsch Connector(Water-proof Coil) IP69K
- B= Double Spade