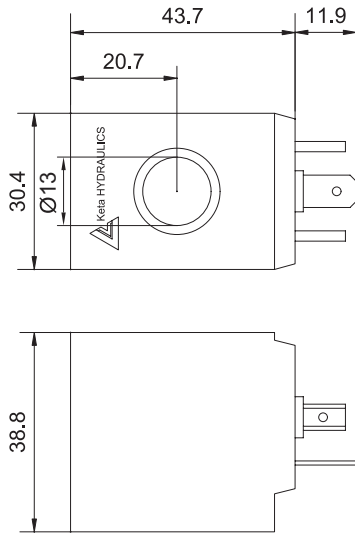


**SOLENOID COIL DATA 08 series**

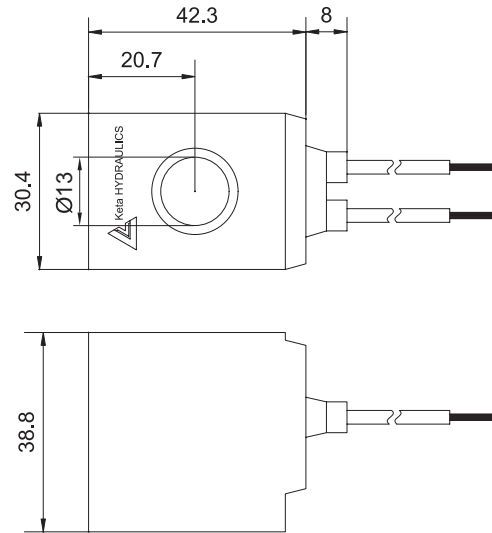
Coil Must Be Installed With Letter Up

Unit=Millimeters

C



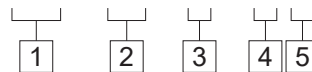
HIRSCHMANN



DOUBLE LEADS

**TO ORDER**

**LC - 08 - S - \* \***



<p><b>1 Function</b> LC=Solenoid Coil</p> <hr/> <p><b>2 Size</b> 08=08 Size</p> <hr/> <p><b>3 Shape</b> S=Square</p> <hr/>	<p><b>4 Coil Voltage</b></p> <table border="0"> <tr> <td>1=12 VDC</td> <td>RED</td> <td>LEAD</td> </tr> <tr> <td>2=24 VDC</td> <td>BLUE</td> <td>LEAD</td> </tr> <tr> <td>3=110VAC</td> <td>BLACK</td> <td>LEAD</td> </tr> <tr> <td>4=220VAC</td> <td>YELLOW</td> <td>LEAD</td> </tr> <tr> <td>5=10 VDC</td> <td>GRAY</td> <td>LEAD</td> </tr> </table> <hr/>	1=12 VDC	RED	LEAD	2=24 VDC	BLUE	LEAD	3=110VAC	BLACK	LEAD	4=220VAC	YELLOW	LEAD	5=10 VDC	GRAY	LEAD	<p><b>5 Coil Connector Type</b></p> <table border="0"> <tr> <td>D= Double Lead</td> </tr> <tr> <td>H= Hirschmann</td> </tr> </table> <hr/>	D= Double Lead	H= Hirschmann
1=12 VDC	RED	LEAD																	
2=24 VDC	BLUE	LEAD																	
3=110VAC	BLACK	LEAD																	
4=220VAC	YELLOW	LEAD																	
5=10 VDC	GRAY	LEAD																	
D= Double Lead																			
H= Hirschmann																			