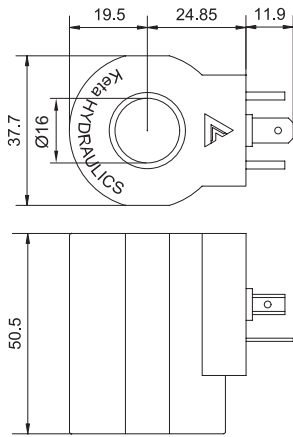


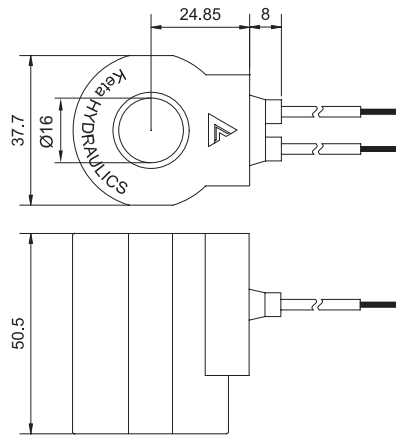
OTHER SIZE SOLENOID COIL DATA

Coil Must Be Installed With Letter Up

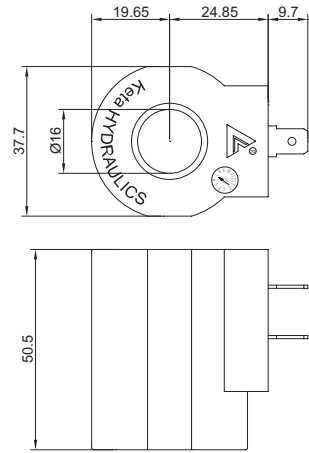
Unit=Millimeters



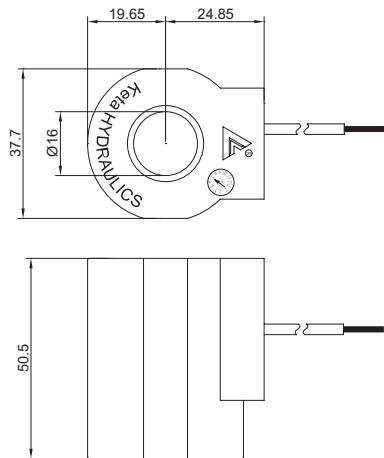
HIRSCHMAN



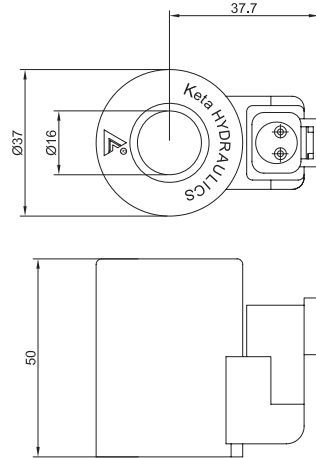
DOUBLE LEADS



DOUBLE SPADE



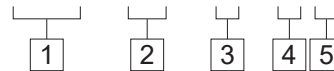
SINGLE LEAD



Model: SC-10-C-*ER (22W)
Deutsch Connector
(Water-proof Coil)

TO ORDER

LC3 - 10 - C - * *



1 Function
LC3=Solenoid Coil

2 Size
10=10 Size

3 Shape
C=Cylindrical

4 Coil Voltage
1=12 VDC RED LEAD
2=24 VDC BLUE LEAD
3=110VAC BLACK LEAD
4=220VAC YELLOW LEAD
9=72 VDC

5 Coil Connector Type
D= Double Lead
H= Hirschmann

Voltage (V)	Power (W)	Resistance (Ω)±7%[Ta=20-25°C]
12VDC	26	5.5
24VDC	26	22.1
110VAC	26	—
220VAC	26	—
72VDC	26	199