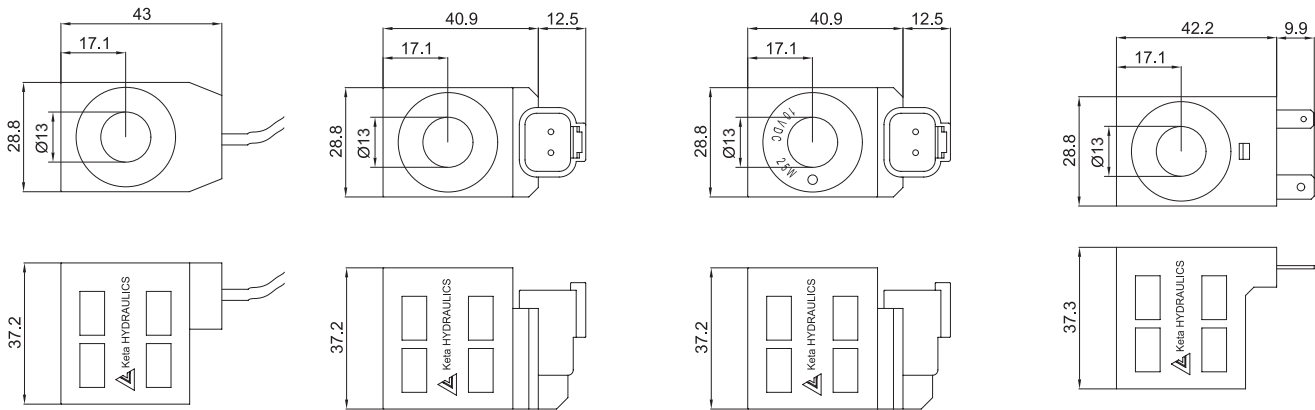


**SOLENOID COIL DATA 08 series**

Coil Must Be Installed With Letter Up

Unit=Millimeters

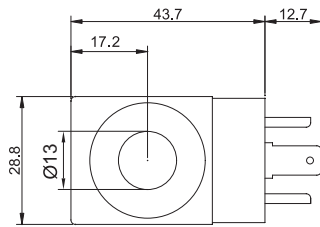


SINGLE LEAD

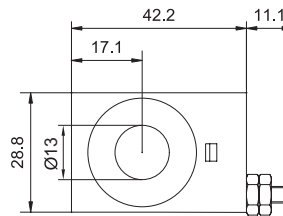
Model:LC2-08-S-\*DR(16W)  
DEUTSCH CONNECTOR

Model:LC9-08-S-\*DR(25W)  
DEUTSCH CONNECTOR

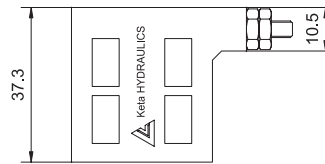
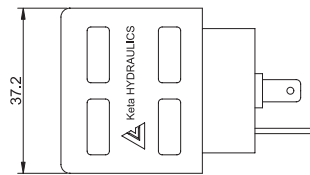
DOUBLE SPADE



HIRSCHMANN

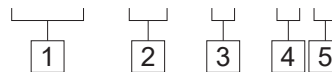


Model:LC2-08-S-\*E  
Single Stud  
8-32 Male Stud  
With 2 Brass Nuts



**TO ORDER**

**LC2 – 08 – S – \* \***



<b>1 Function</b> LC2=Solenoid Coil	<b>4 Coil Voltage</b> 1=12 VDC RED LEAD 2=24 VDC BLUE LEAD 3=110VAC BLACK LEAD 4=220VAC YELLOW LEAD 5=10 VDC GRAY LEAD 7=48 VDC ORANGE LEAD 8=24 VAC BROWN LEAD	<b>5 Coil Connector Type</b> D= Double Lead S= Single Lead H= Hirschmann DR= Deutsch Connector(Water-proof Coil) E= Single Stud B= Double Spade
<b>2 Size</b> 08=08 Size		
<b>3 Shape</b> S=Square		